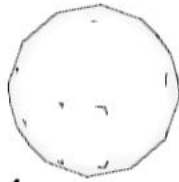




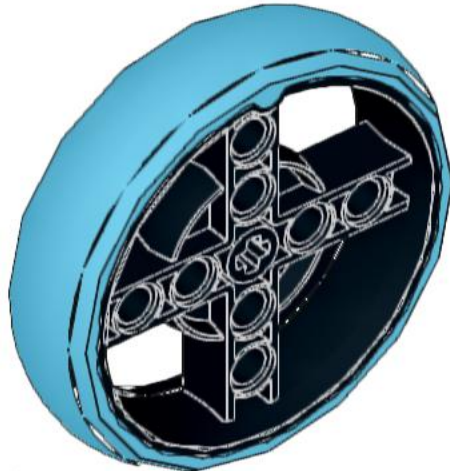
8x
2780
Black



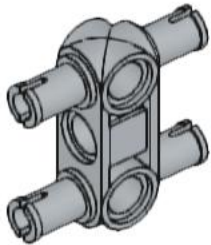
1x
52629
White



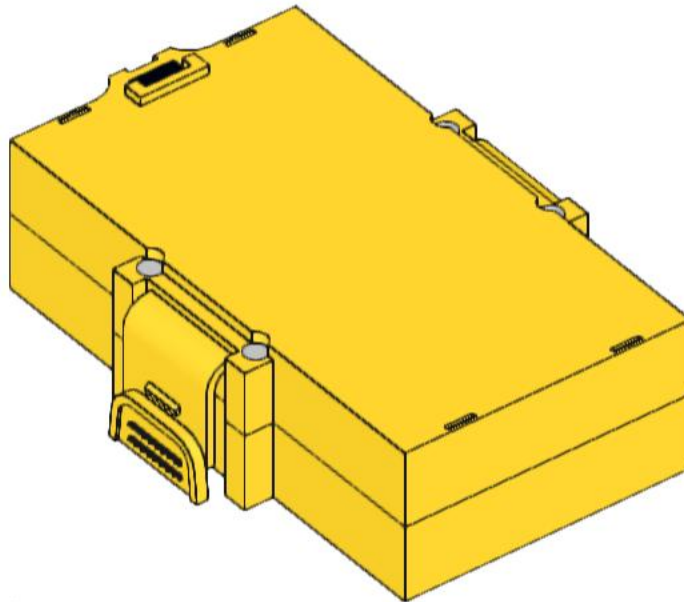
1x
32062
Red



2x
39367pb01
Black



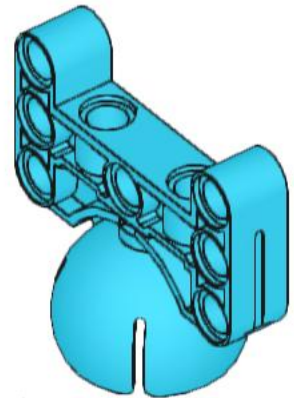
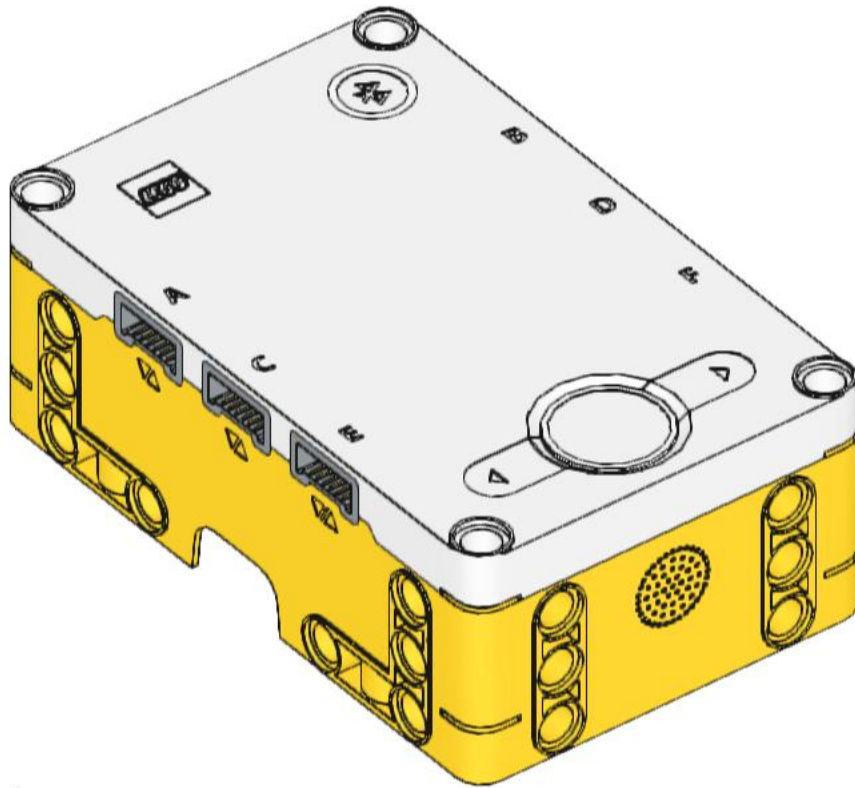
2x
48989
Light Bluish Gray



1x
55422c01
Yellow

Brogan Basic Build SPIKE Prime

Bill of Materials Page 1 of 2



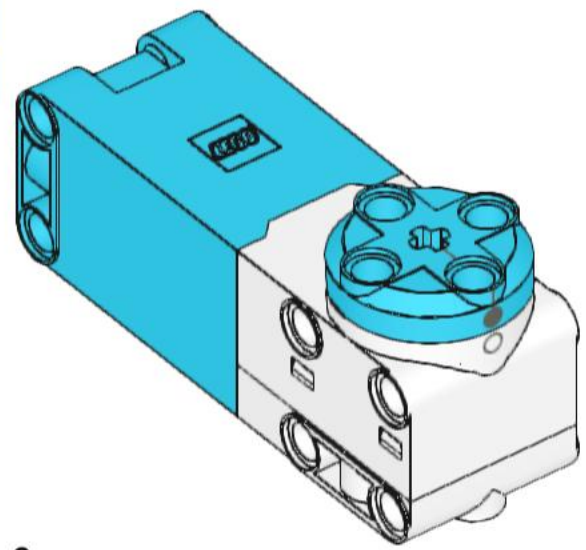
1x
39370
Medium Azure



2x
6558
Blue



1x
49283
Magenta



2x
54696c01
Medium Azure

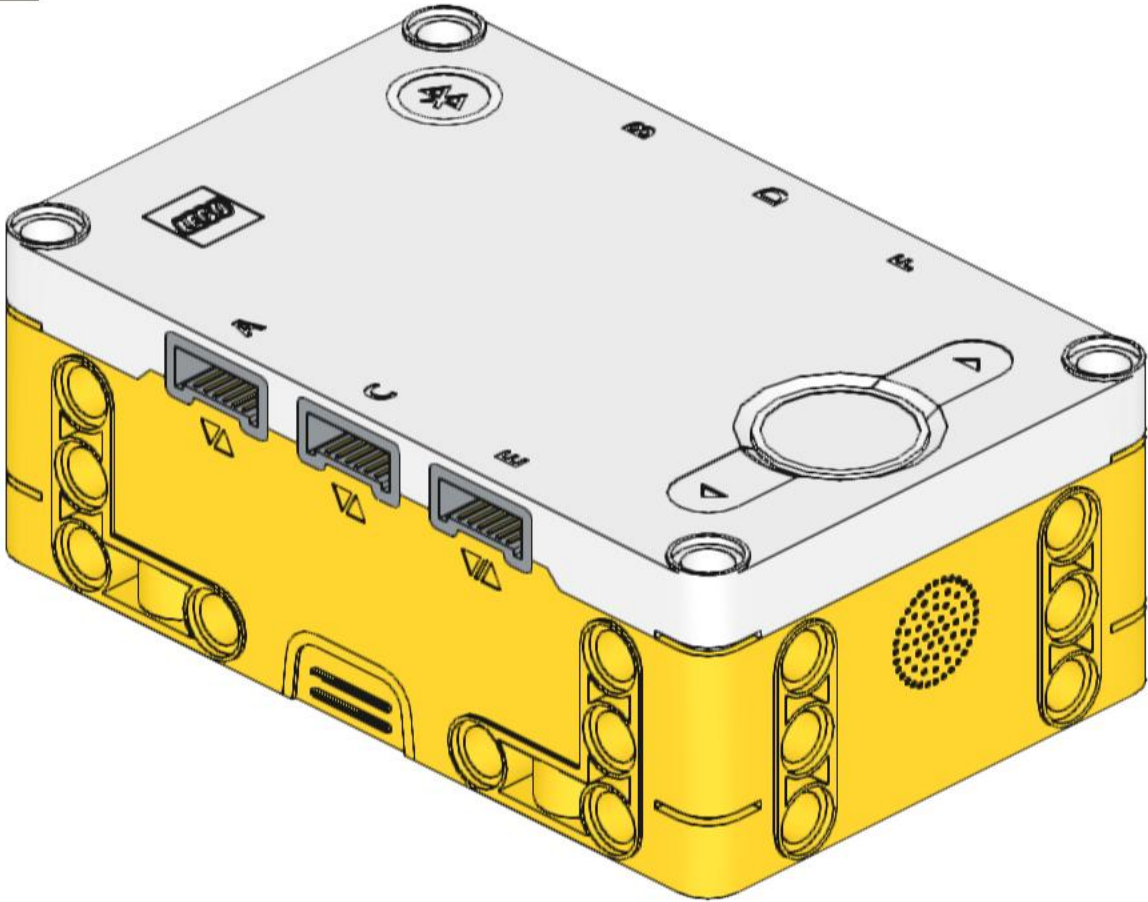
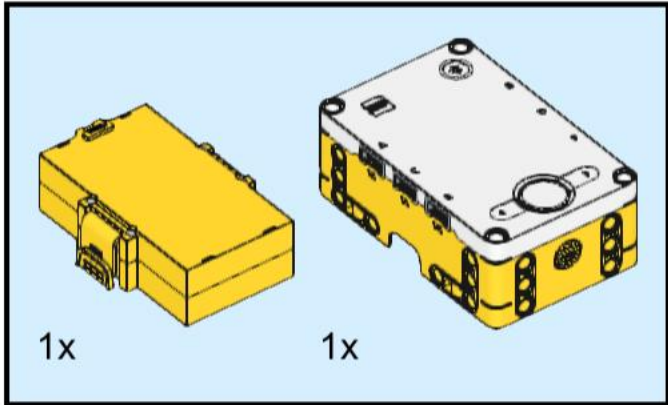
1x
bb1142c01
Yellow



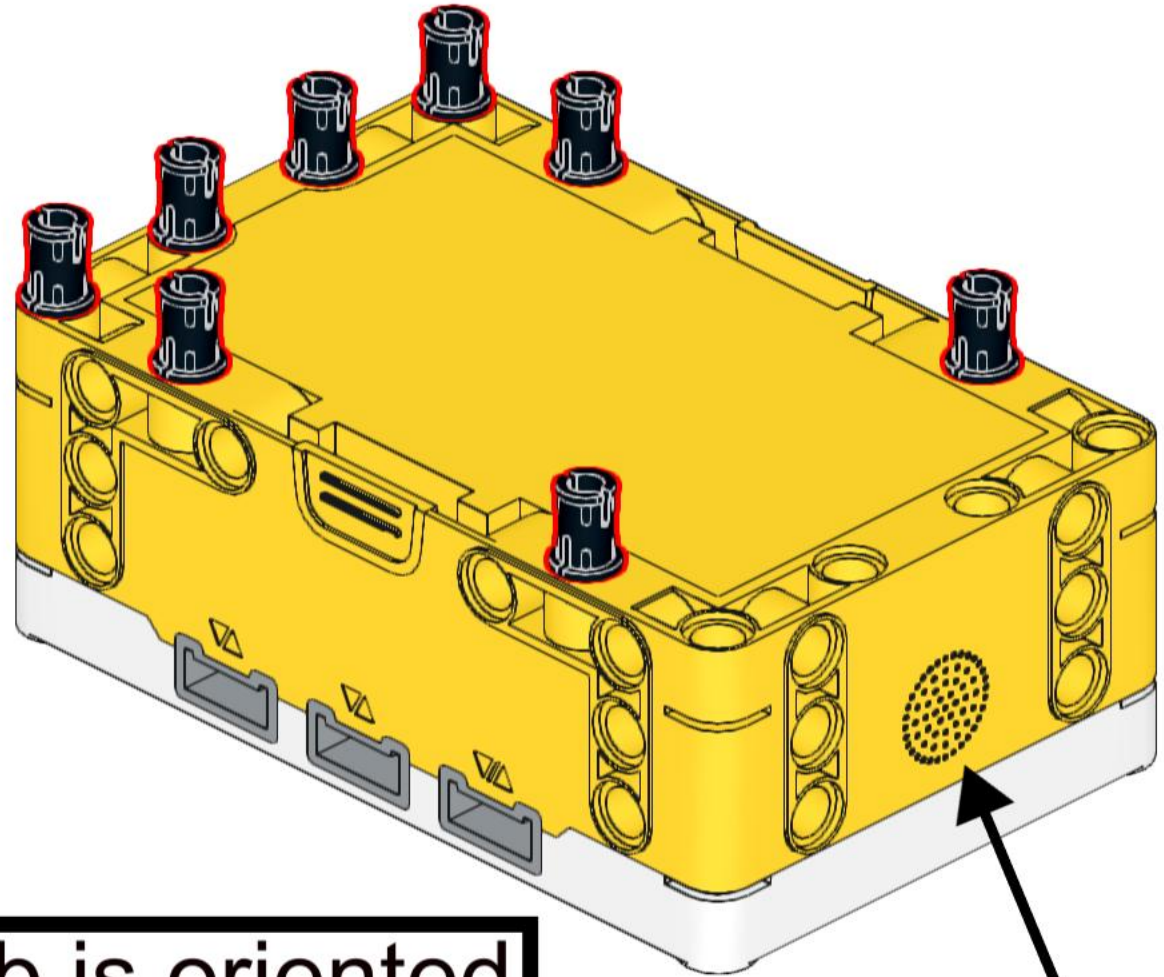
1x
49283
Medium Azure

Bill of Materials Page 2 of 2

1



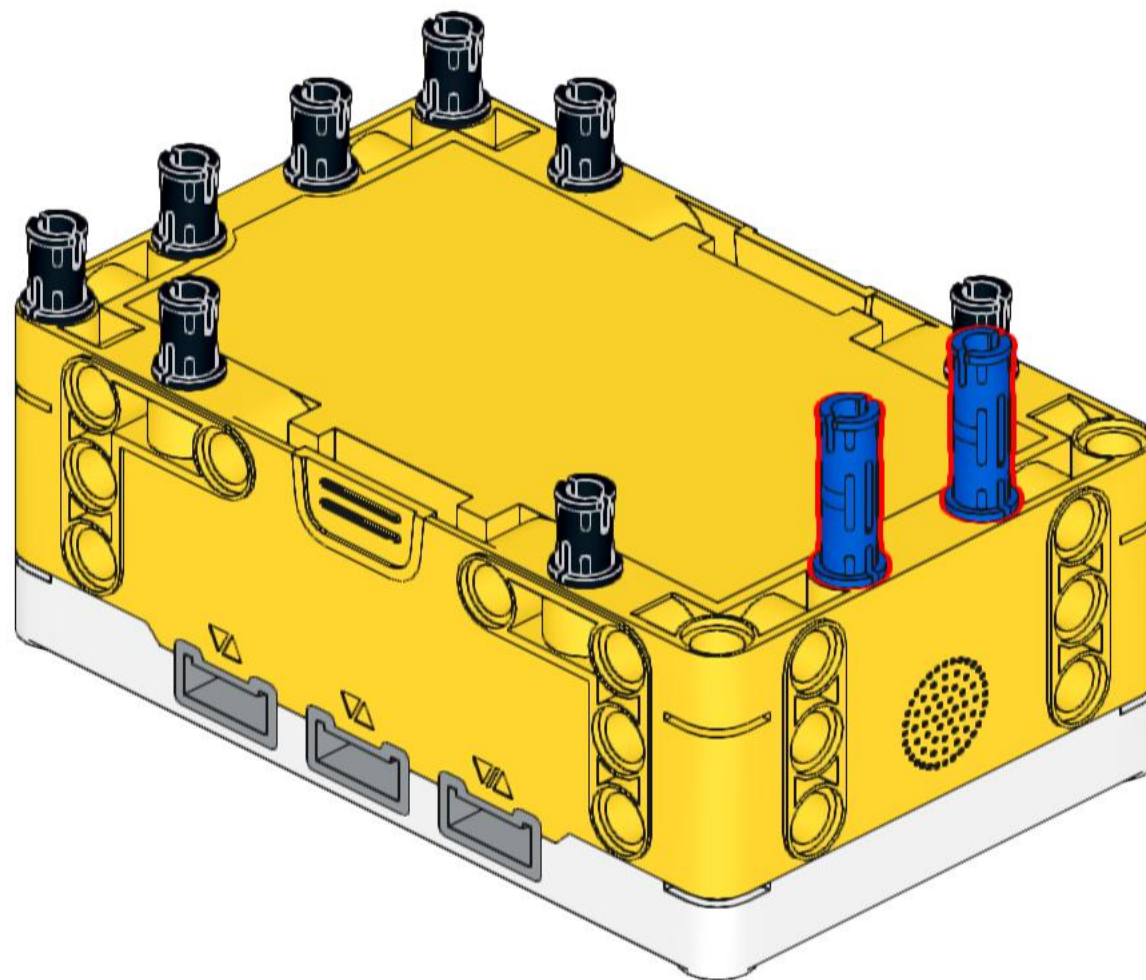
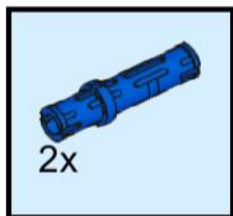
2



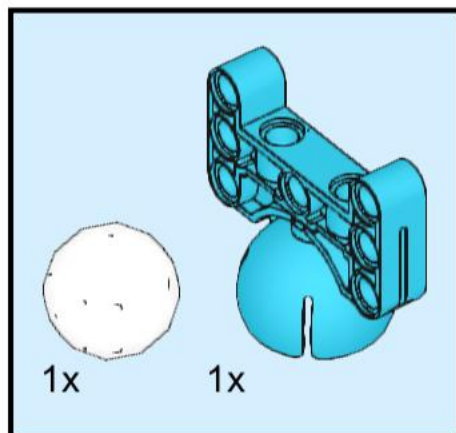
Speaker

Make sure your hub is oriented the way shown below and the majority of pins are placed **AWAY** from the speaker.

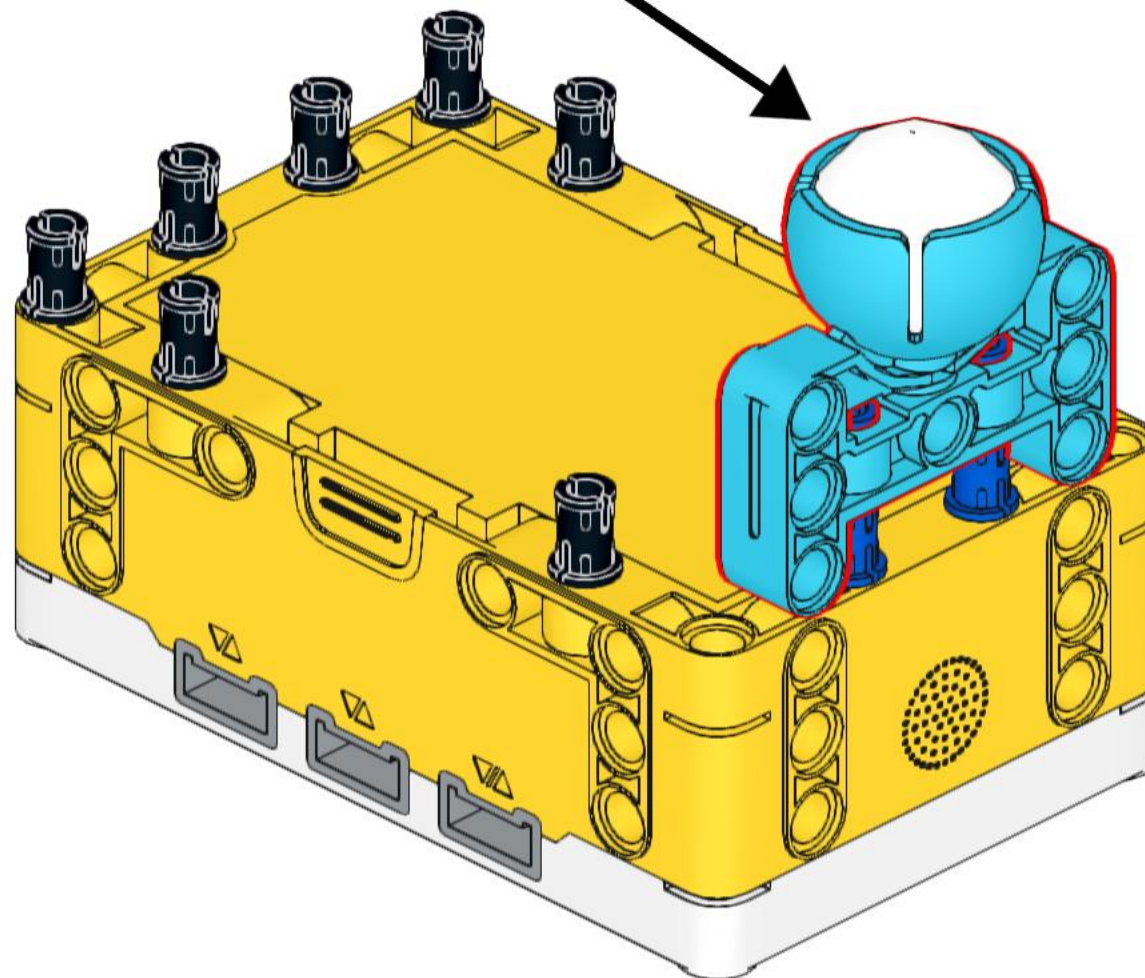
3



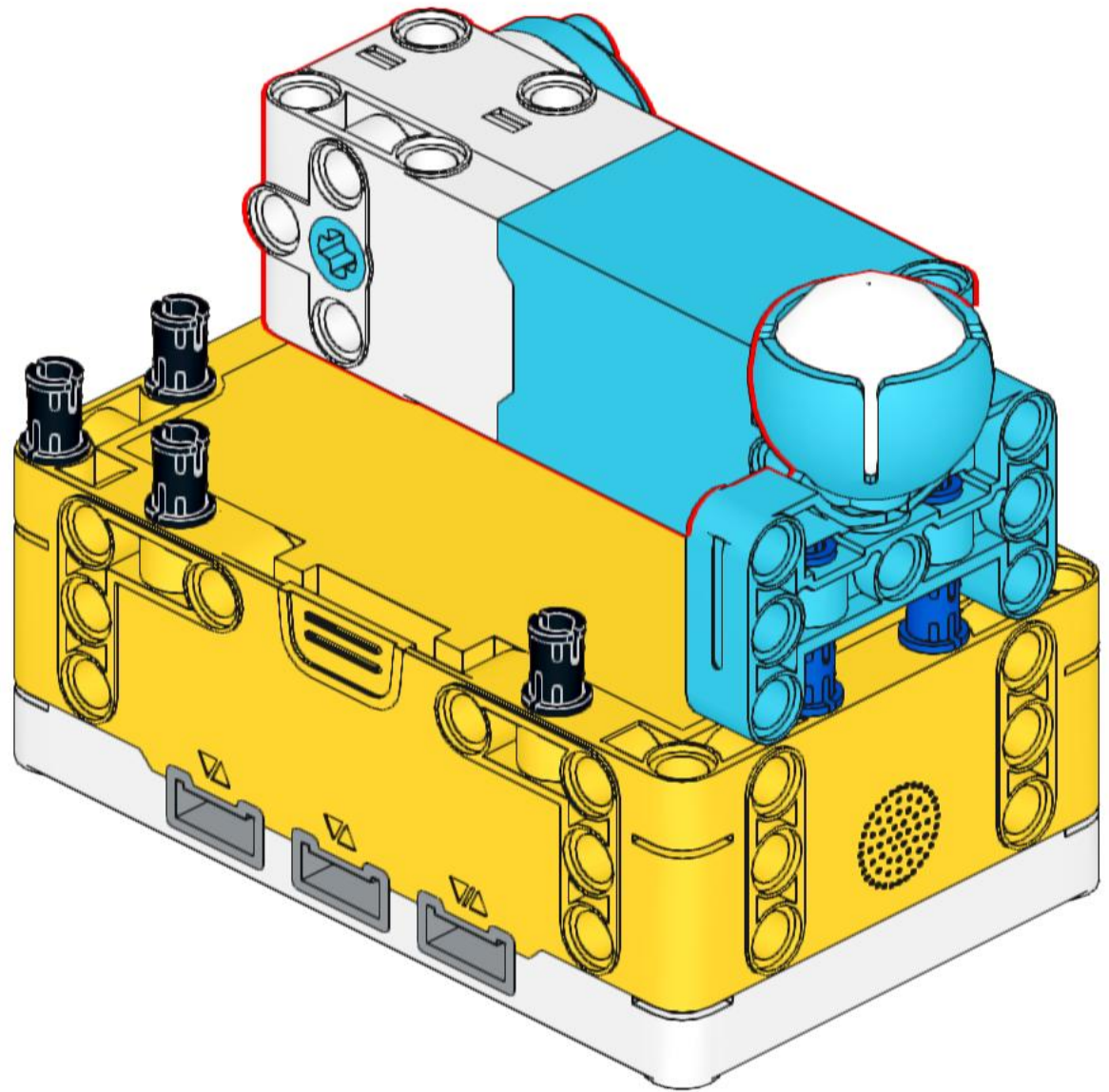
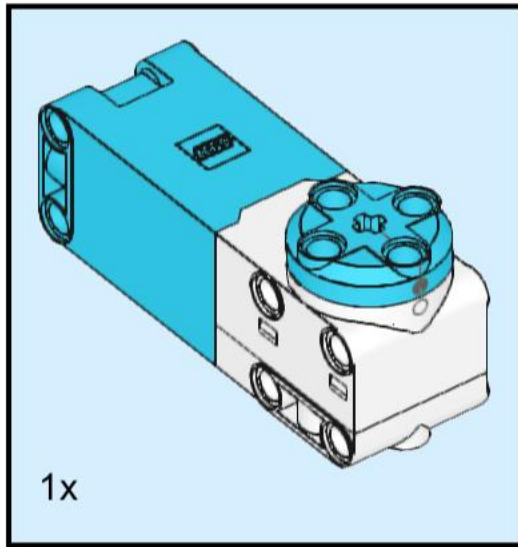
4



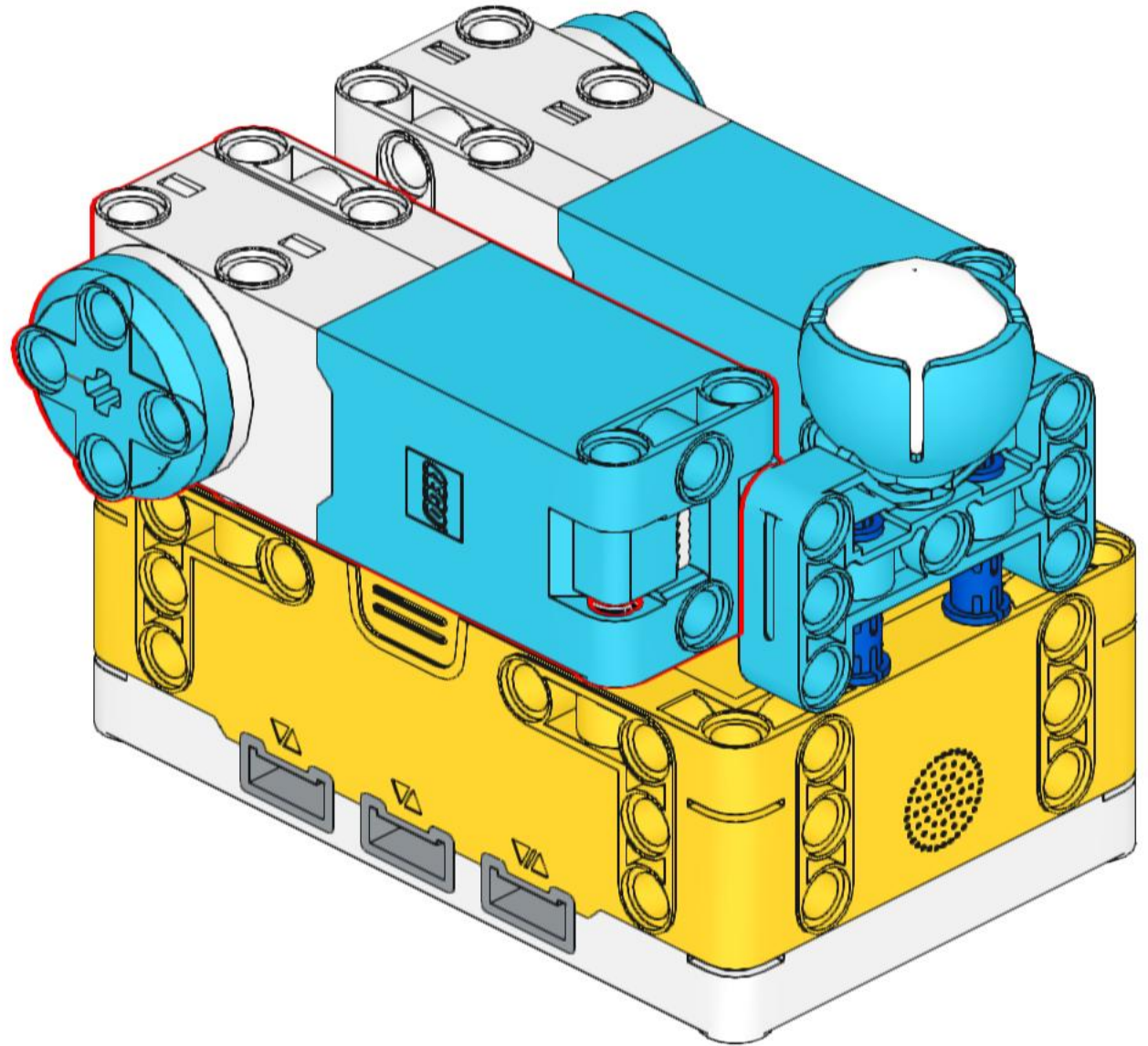
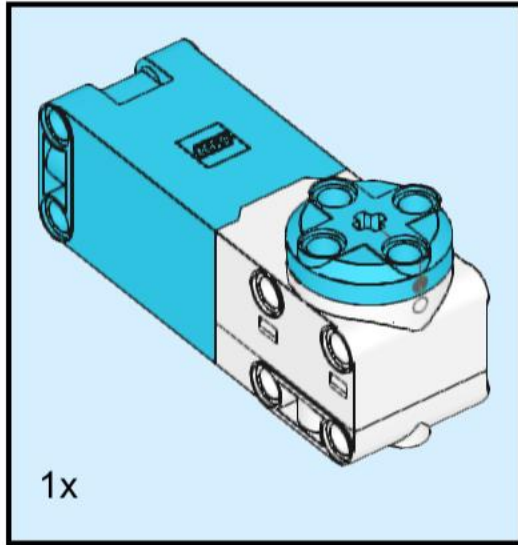
The ball and ball cup will already be together as shown below.



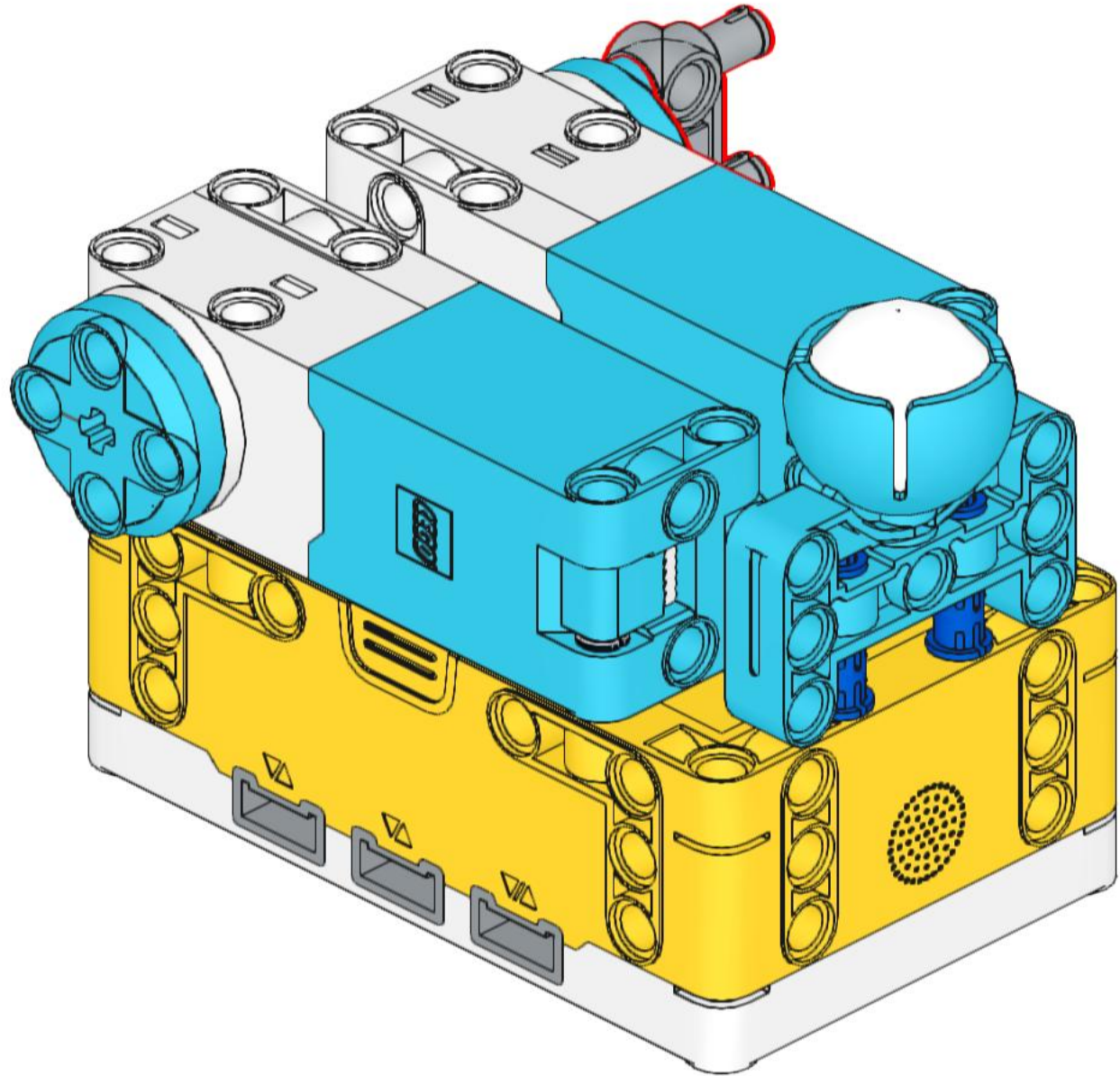
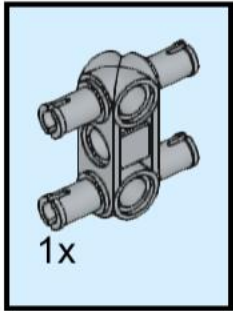
5



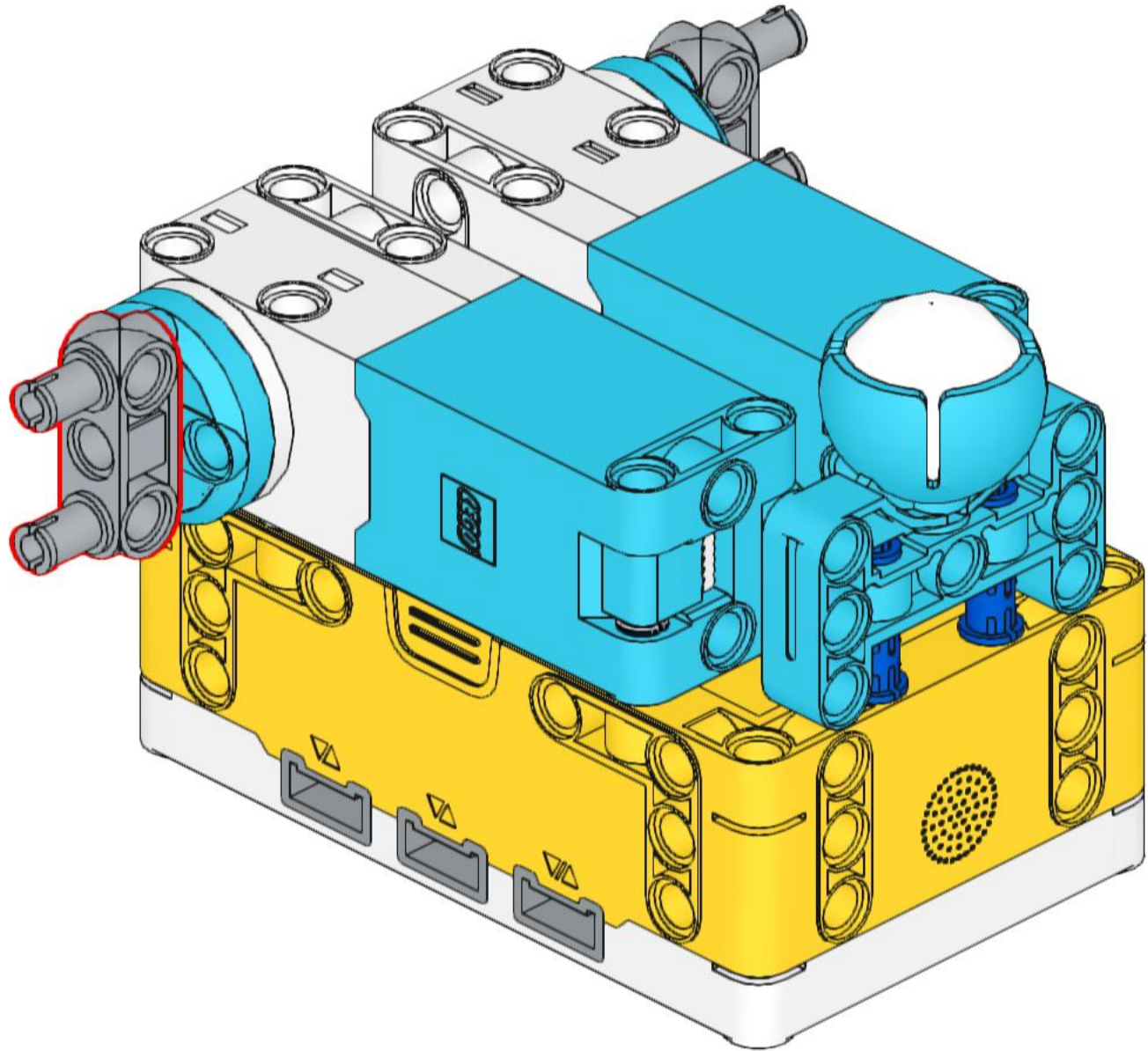
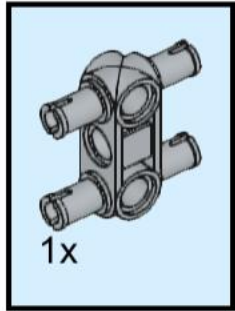
6



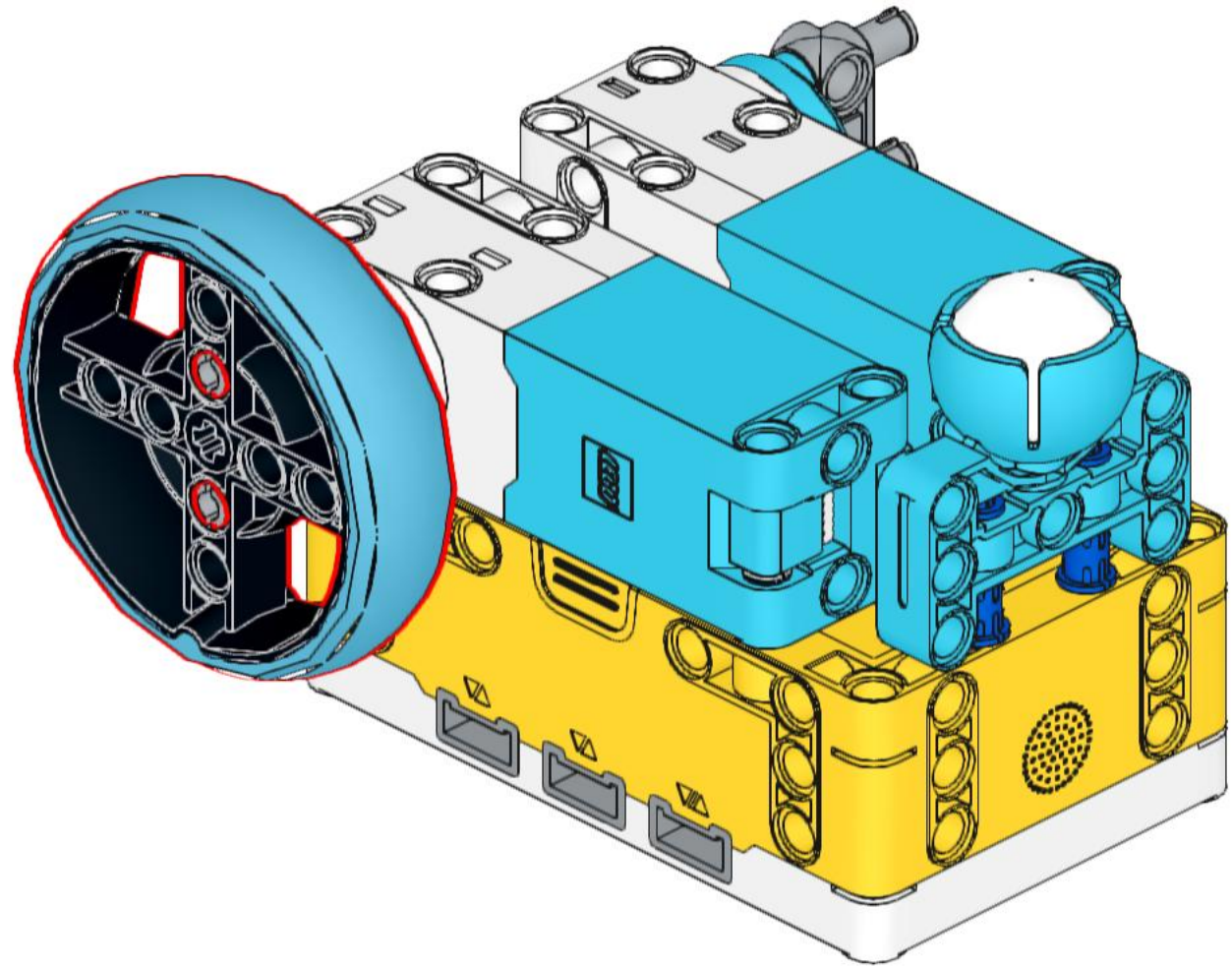
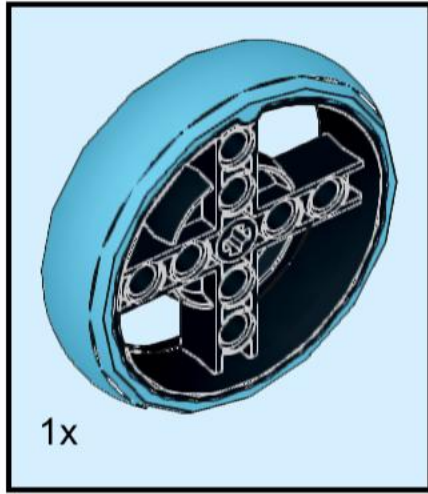
7



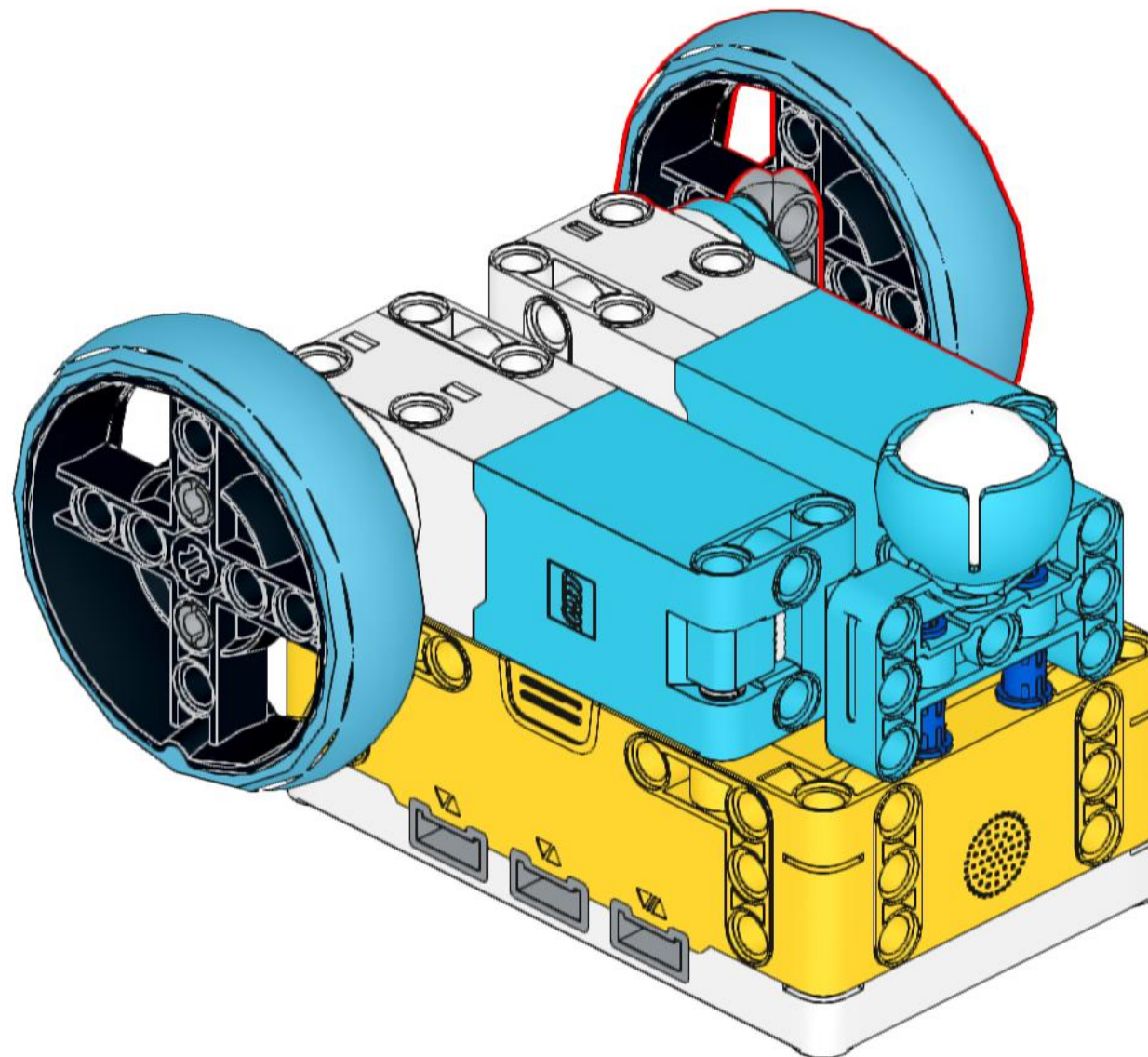
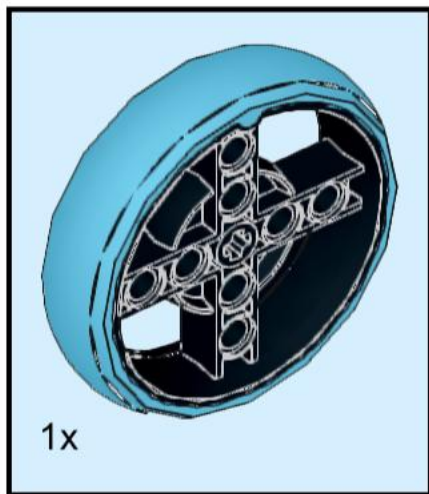
8



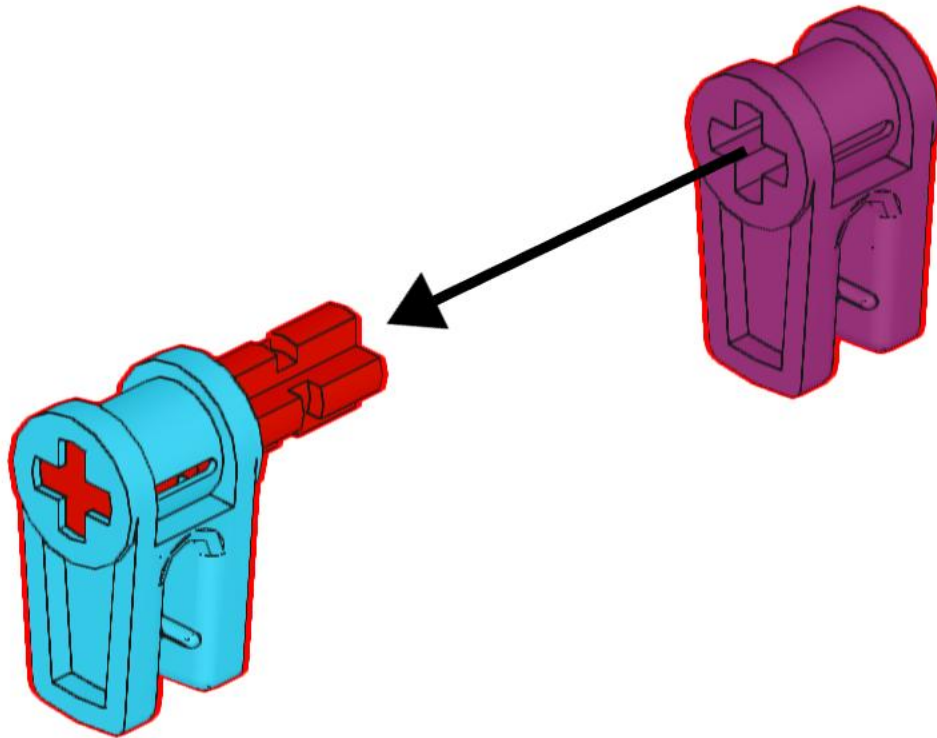
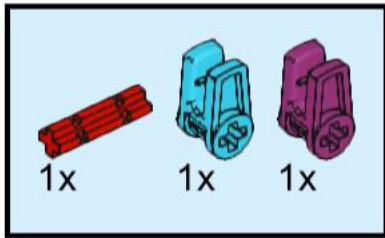
9



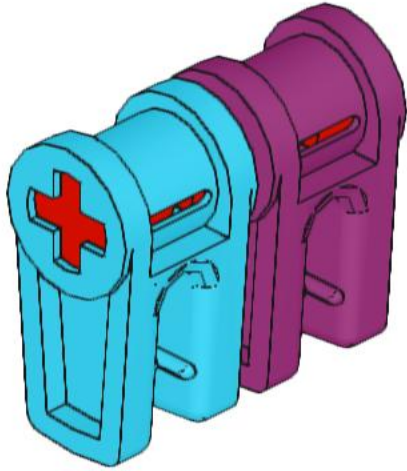
10



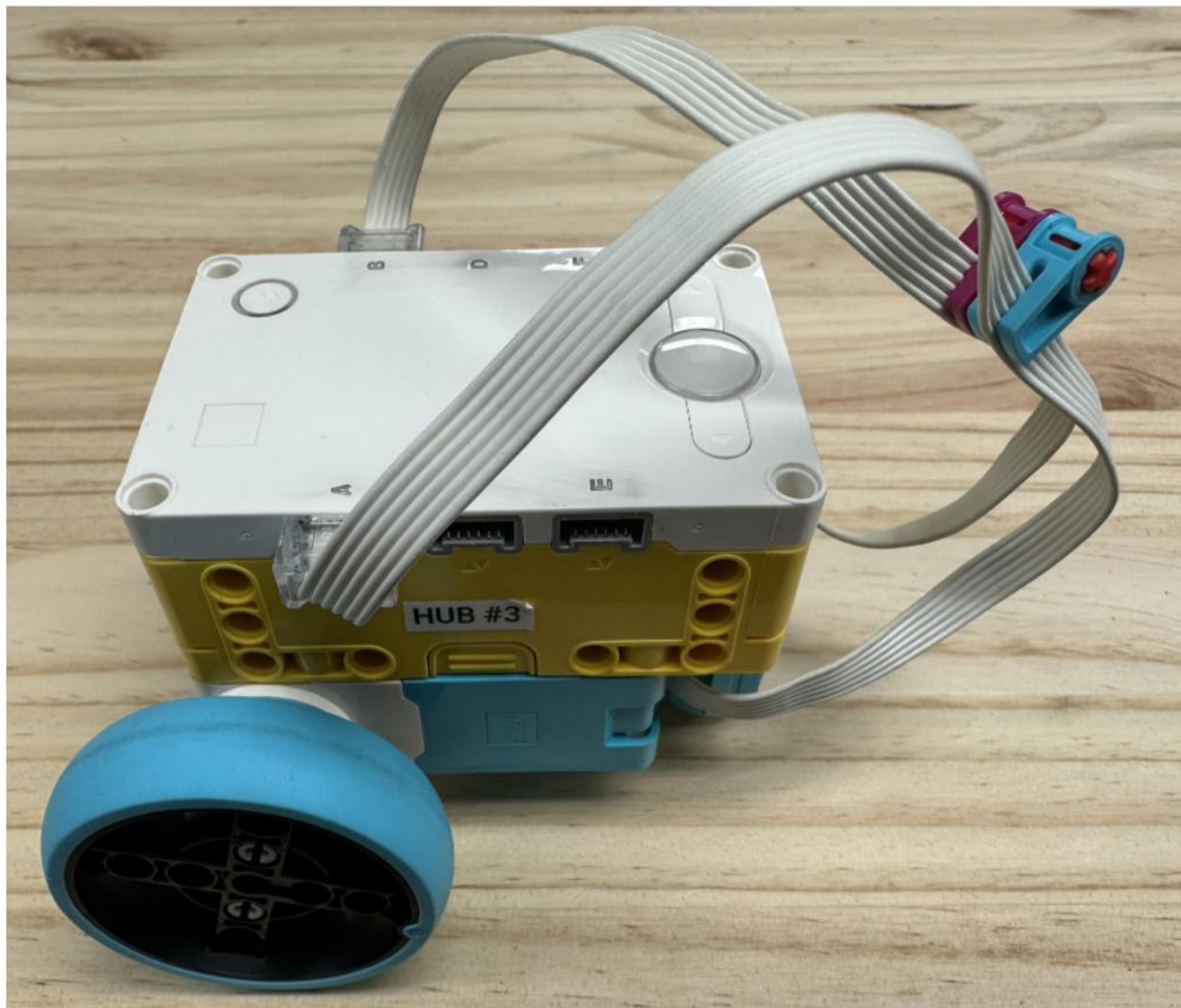
11



12



Place the wire clips on each of the motor cables. The motors should be connected to whatever ports work best for your design. However, I recommend using ports A & B.



In this picture it shows the motors connected to ports A & B.