

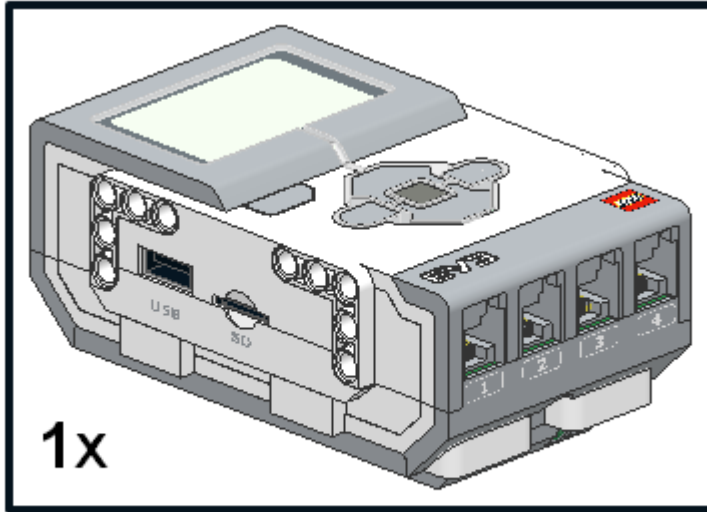
# Building a robot (Simple)

This diagram shows the parts list for building a simple robot. The parts are organized into groups with their respective quantities:

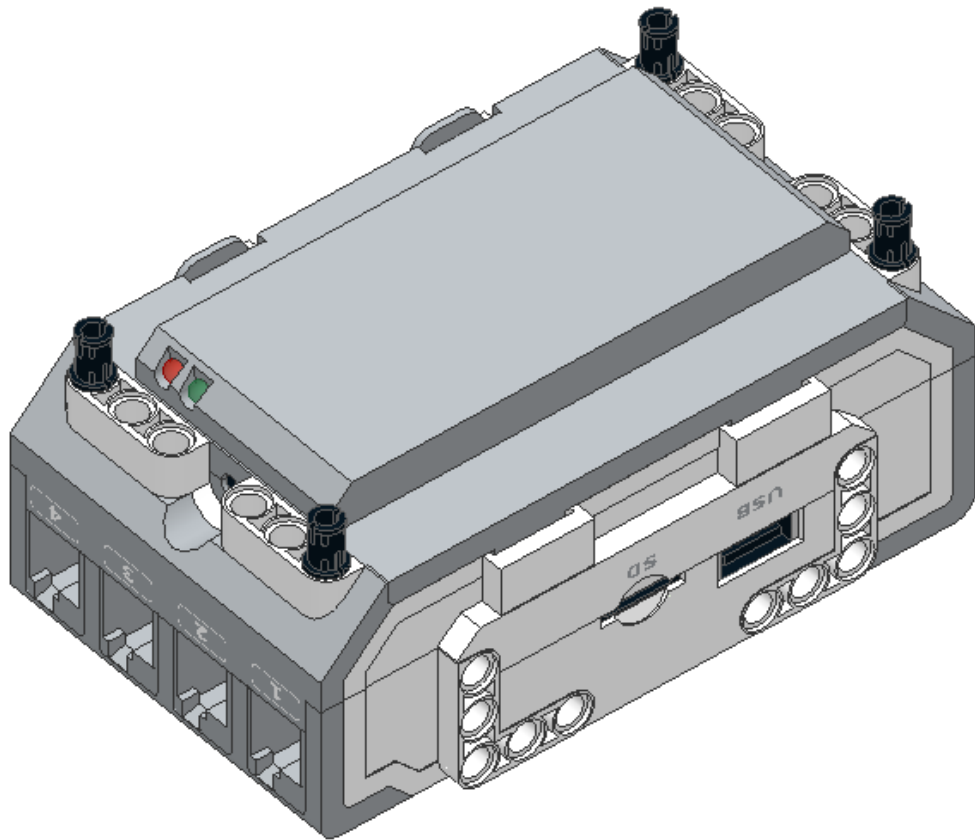
- 3**: 3 grey pins
- 1x**: 1 grey axle
- 8**: 1 grey axle (length 8)
- 2x**: 2 red 1x2 Technic connectors
- 4x**: 4 grey 1x2 Technic connectors
- 2x**: 2 grey 1x4 Technic connectors
- 15**: 15 grey 1x15 Technic connectors
- 2x**: 2 grey 1x15 Technic connectors
- 4x**: 4 grey pins
- 6x**: 6 grey pins
- 1x**: 1 grey axle connector
- 1x**: 1 grey axle connector
- 1x**: 1 grey axle connector
- 8x**: 8 grey pins
- 7x**: 7 blue pins
- 7x**: 7 red pins
- 8x**: 8 grey pins
- 2x**: 2 grey axle connectors
- 2x**: 2 blue pins
- 2x**: 2 blue pins
- 1x**: 1 grey axle connector
- 1x**: 1 grey axle connector
- 2x**: 2 black wheels
- 2x**: 2 grey motors

The central image shows the assembled robot, a grey rectangular base with a green display screen on top, a USB port, and a battery compartment. The front panel features four ports labeled 1, 2, 3, and 4. The robot is shown from a top-down perspective.

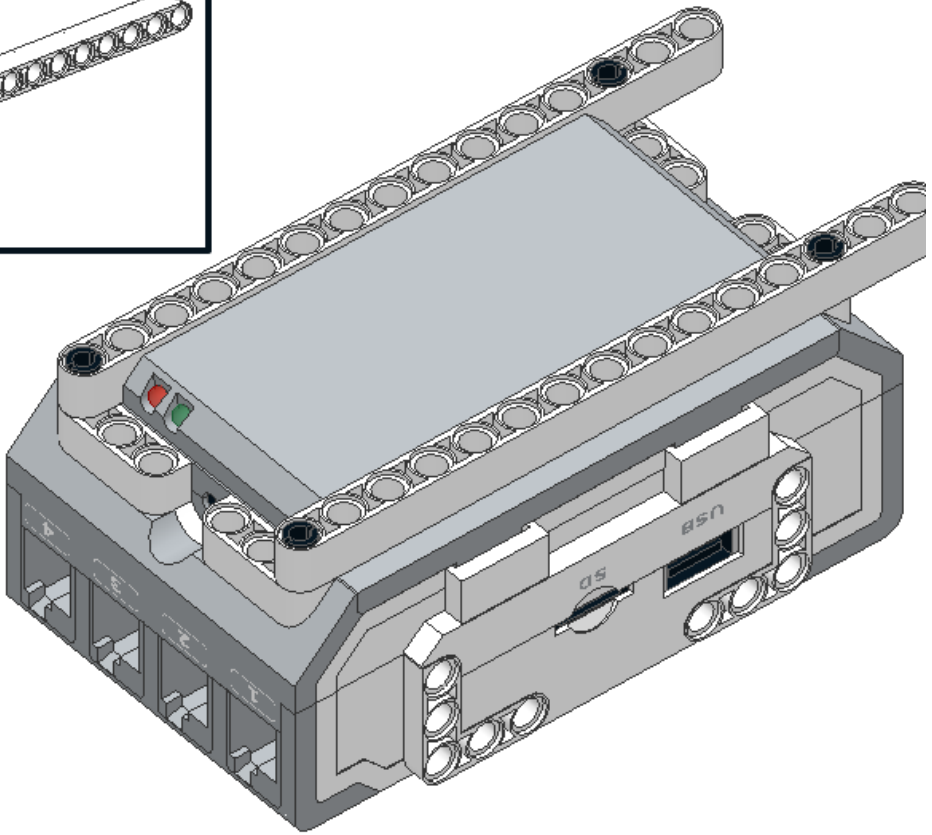
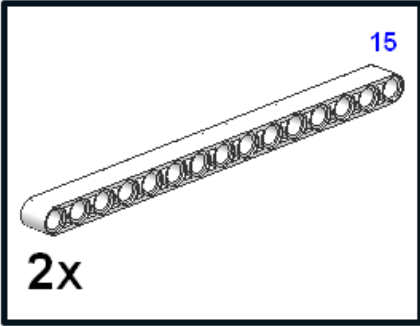
1



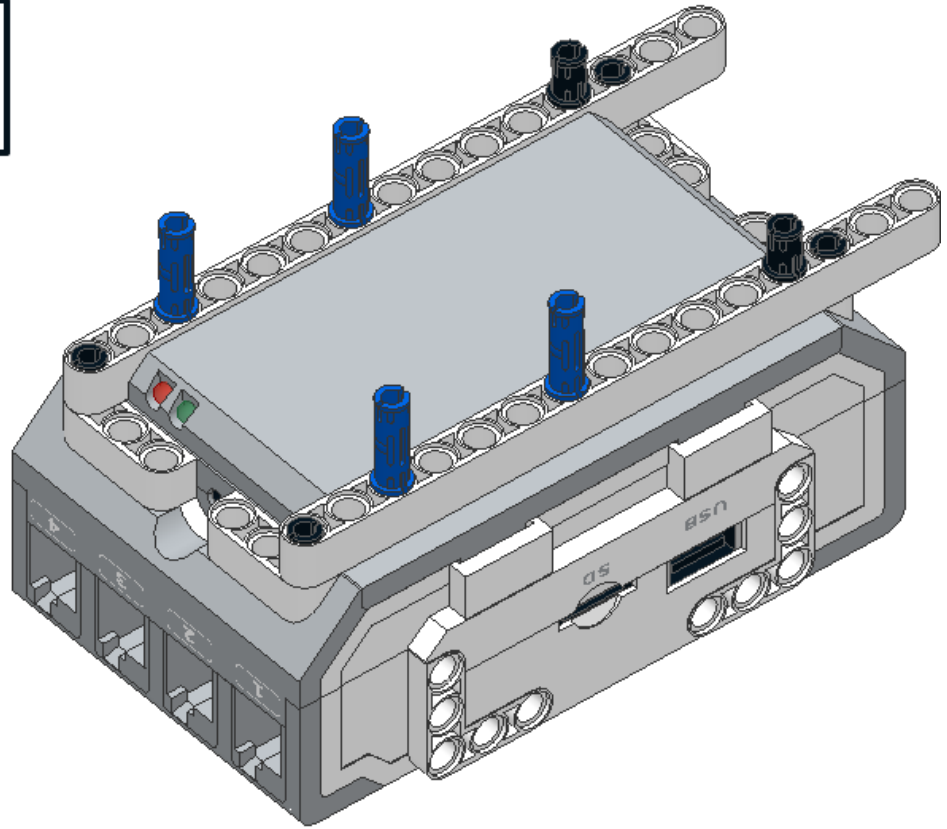
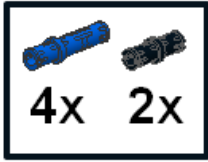
2



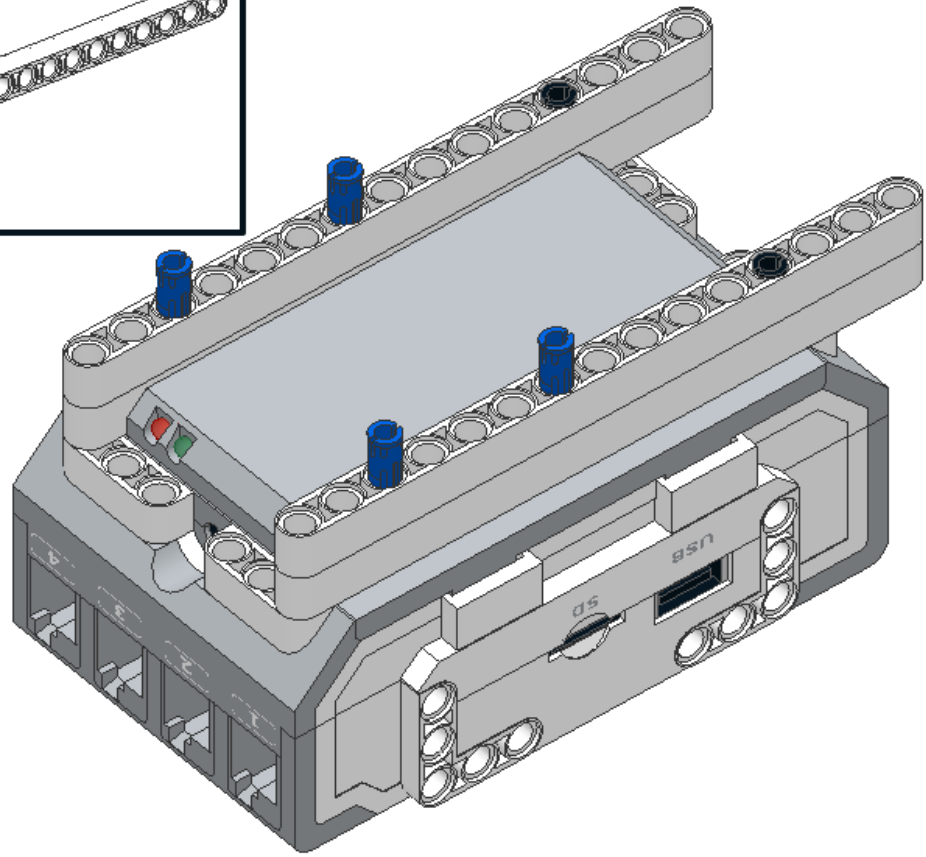
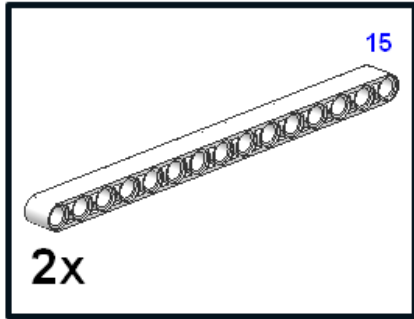
3



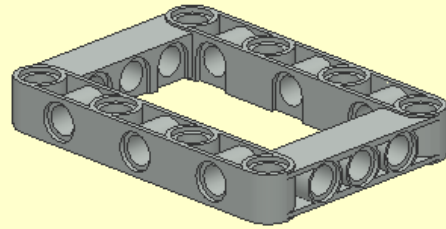
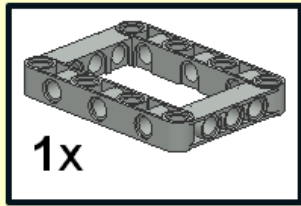
4



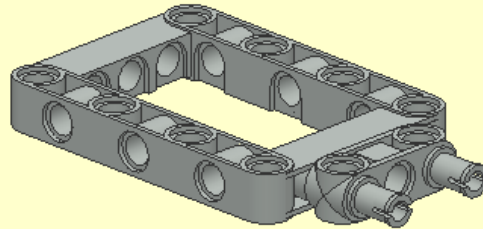
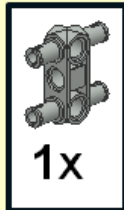
5



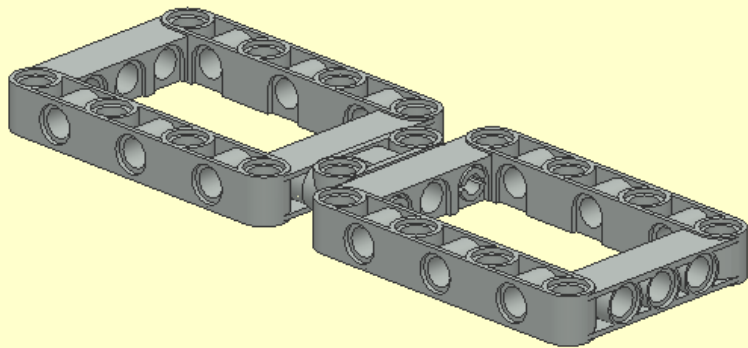
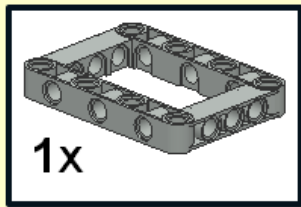
**1**



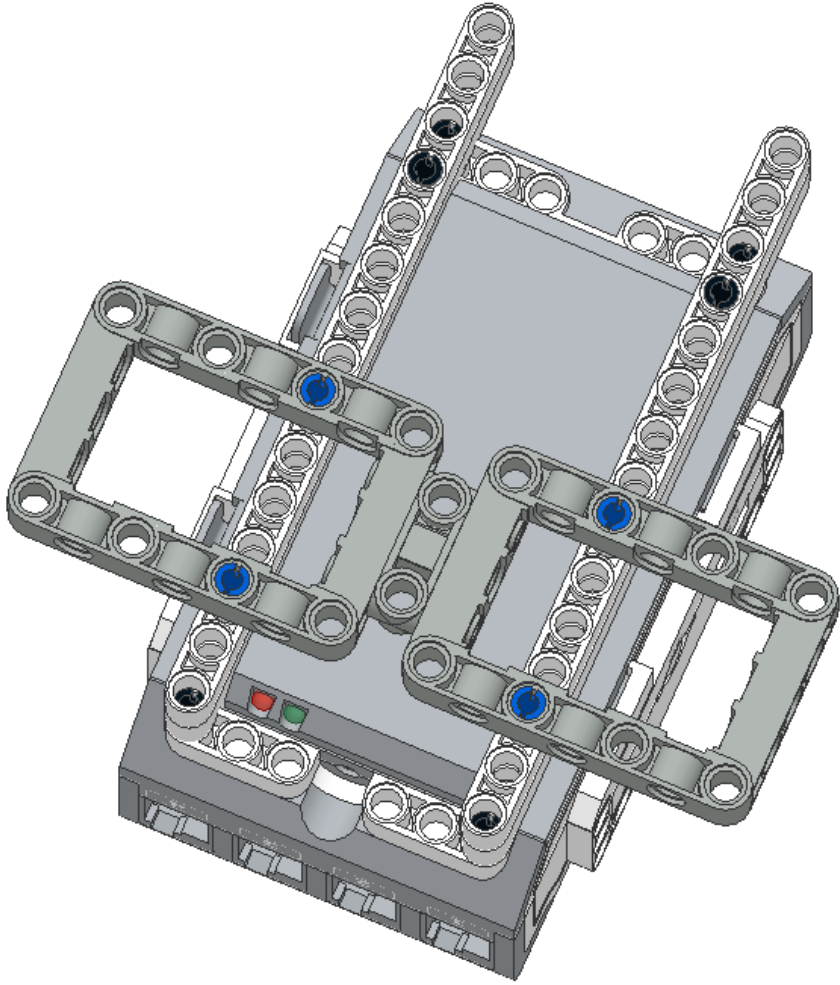
**2**

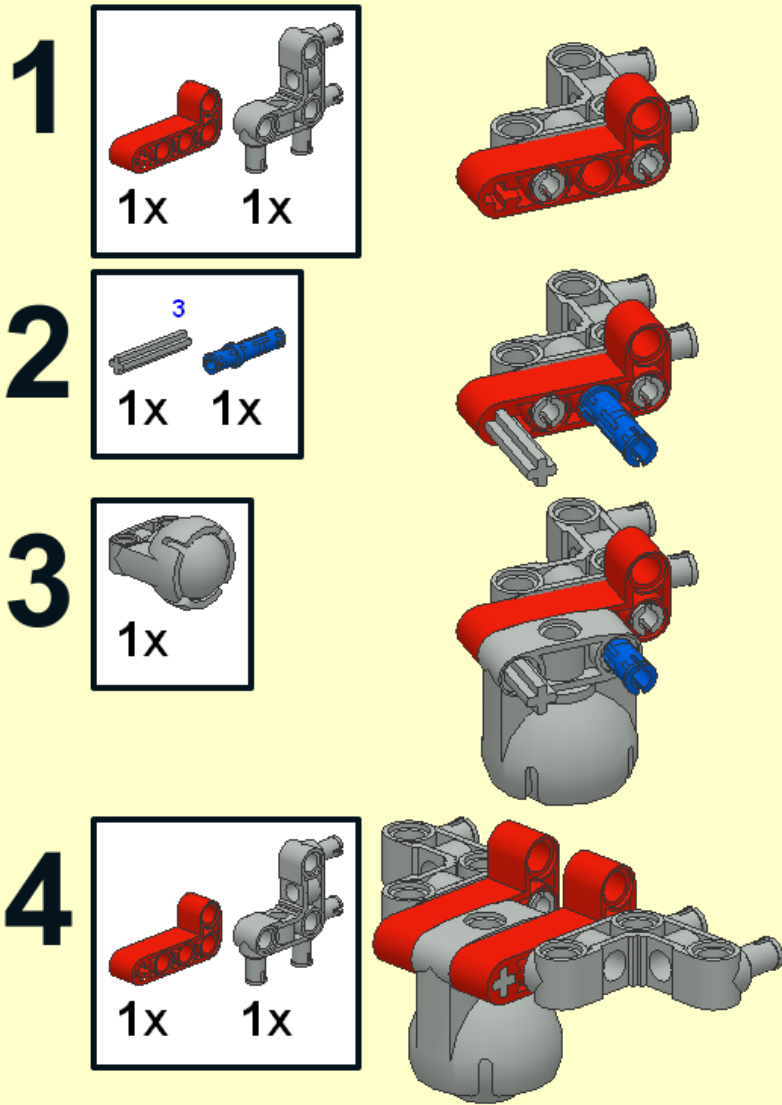


**3**



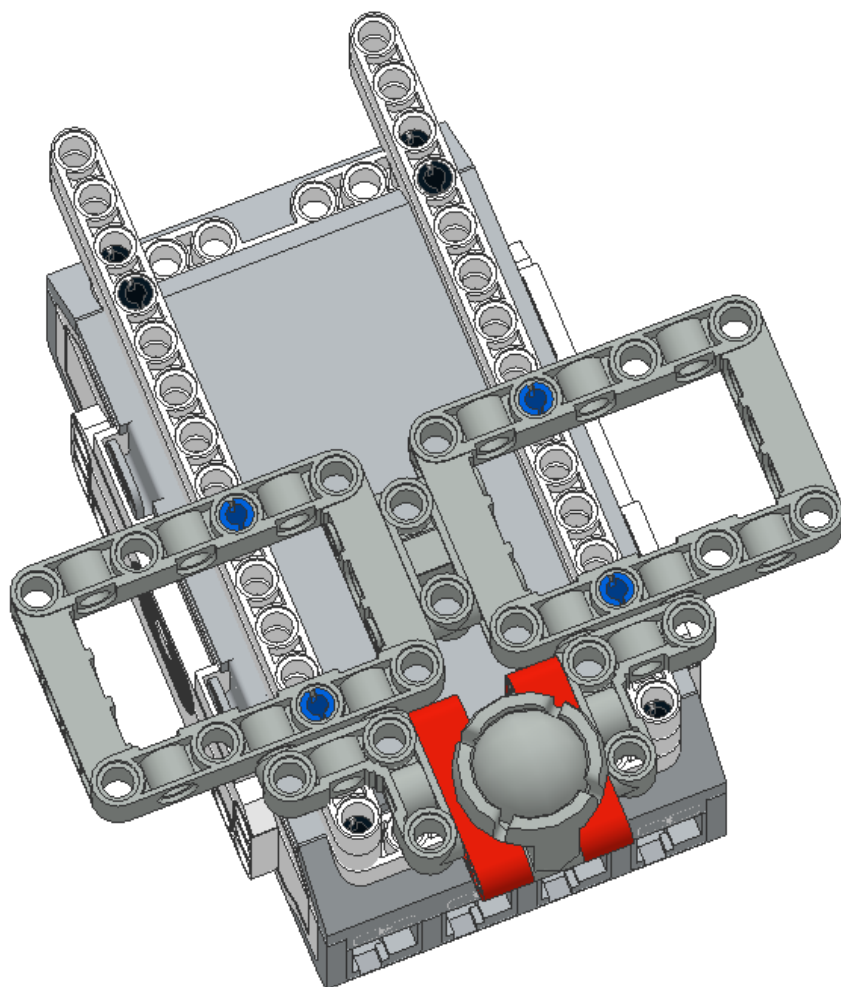
6



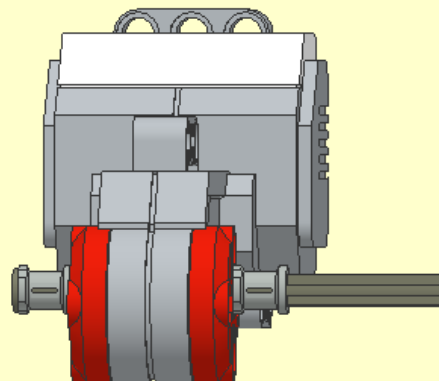
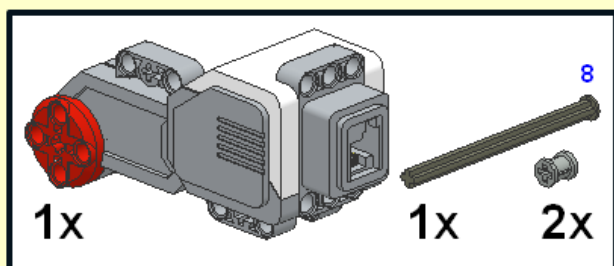




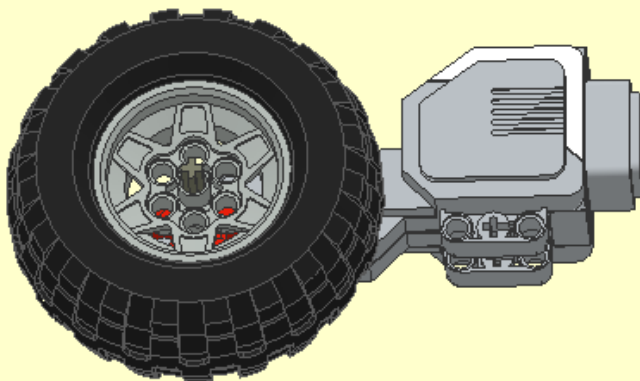
7



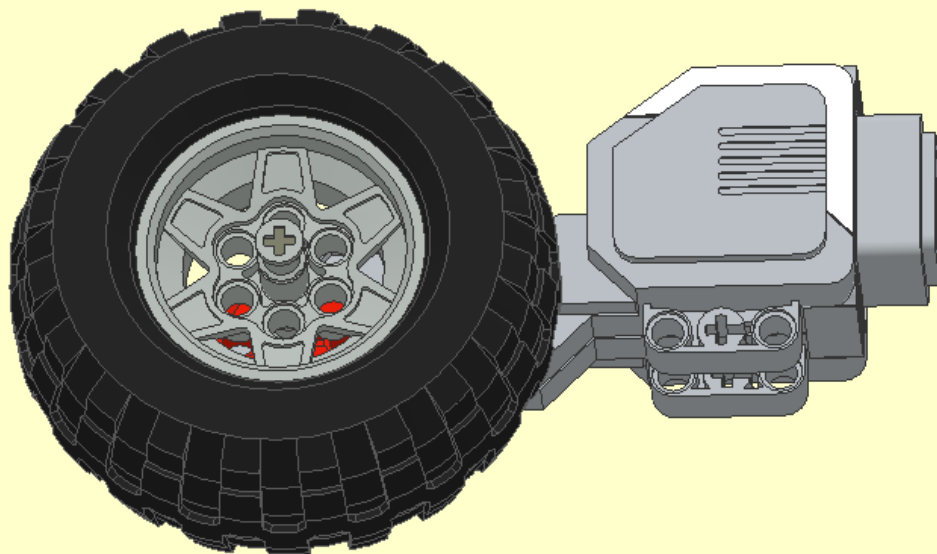
1



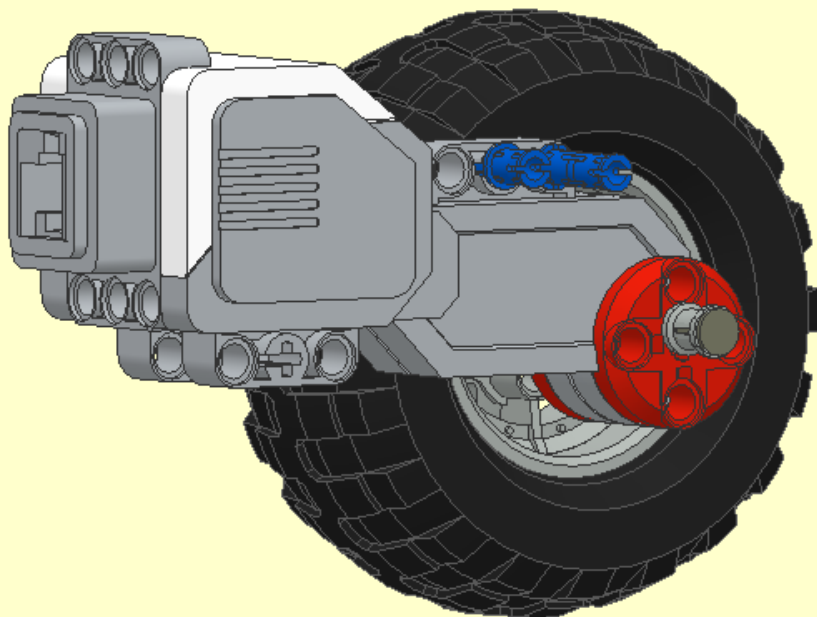
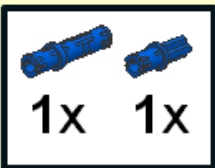
2



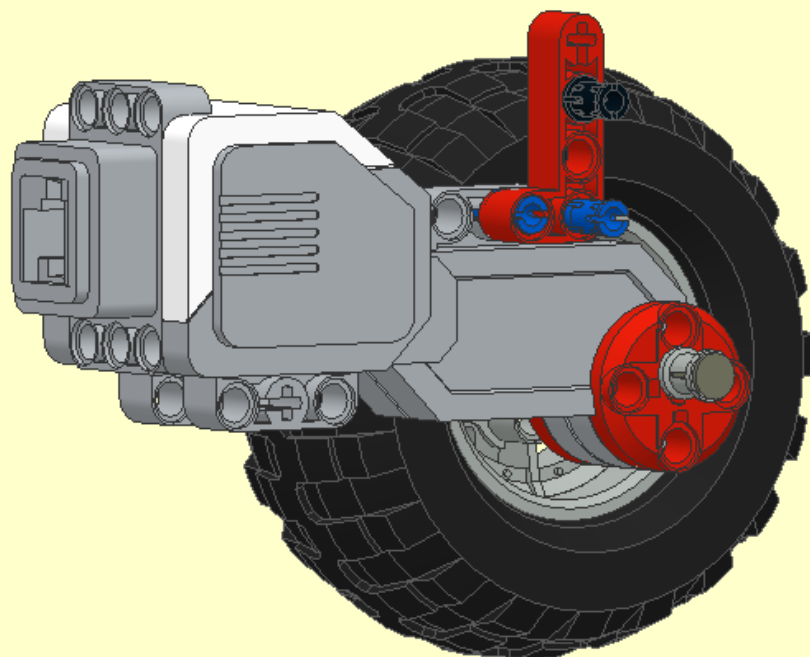
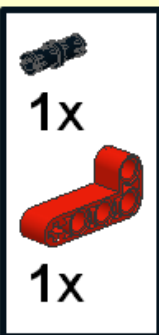
3



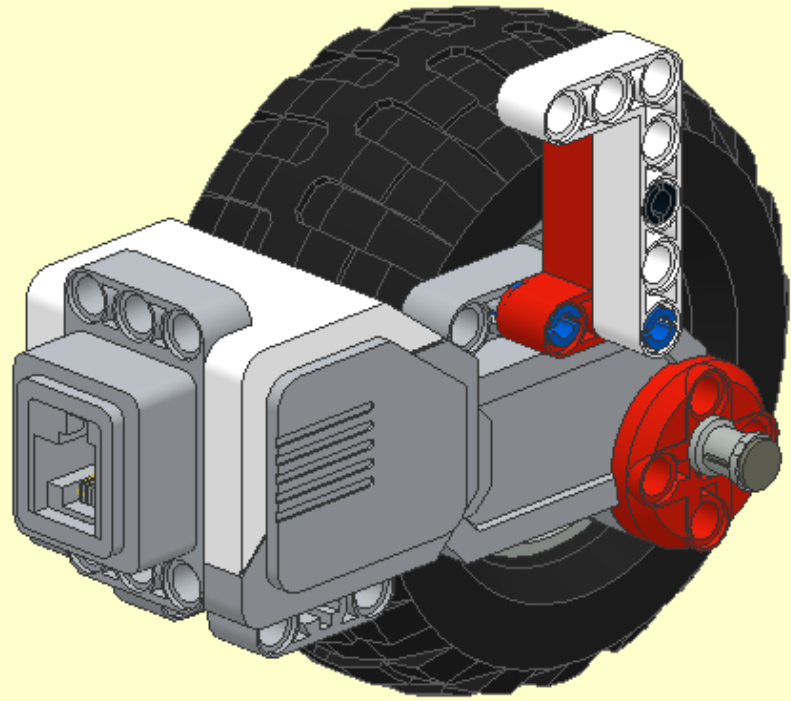
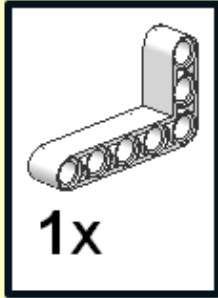
4



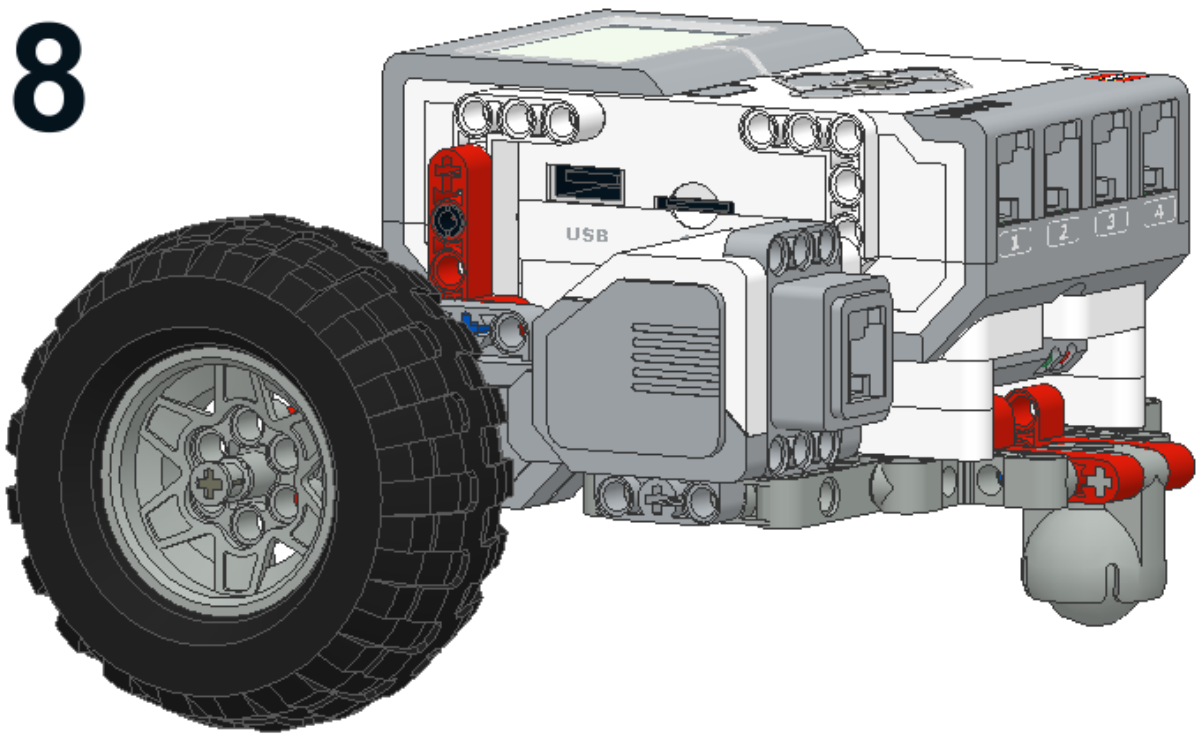
5



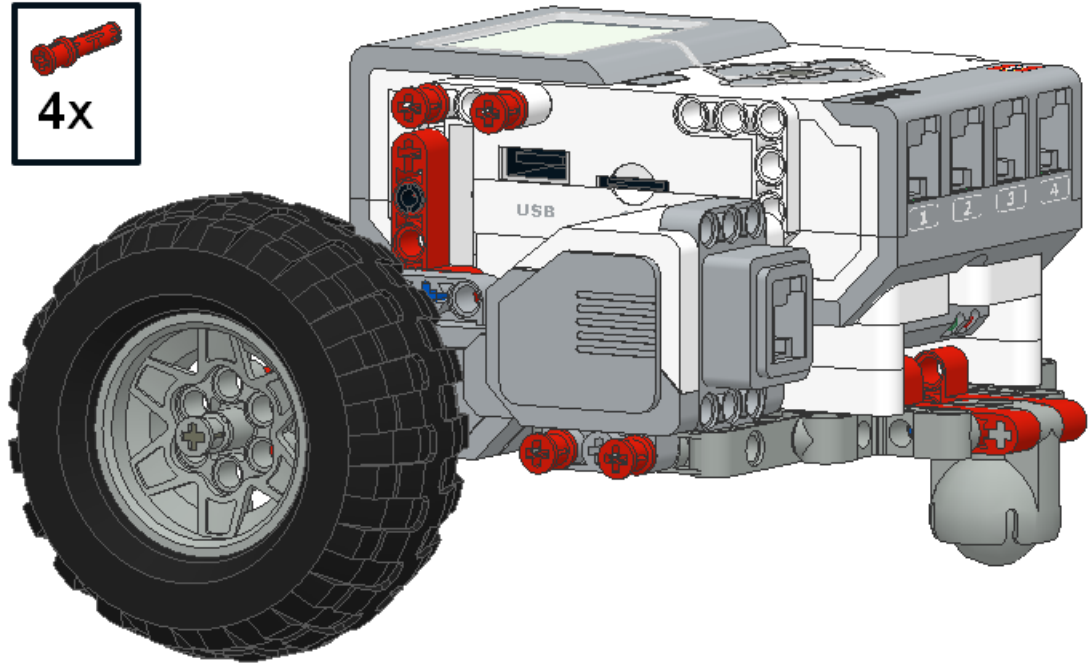
6



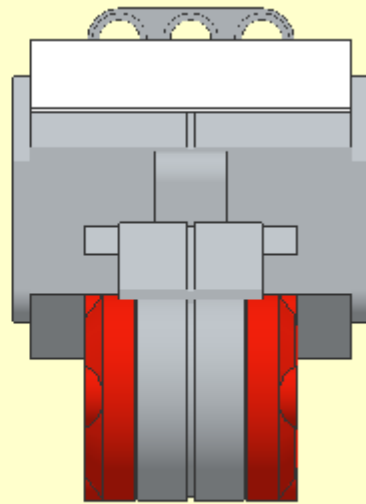
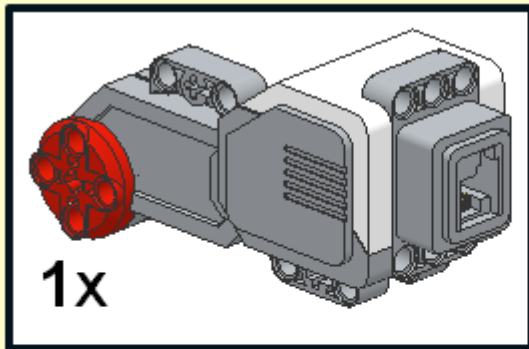
8



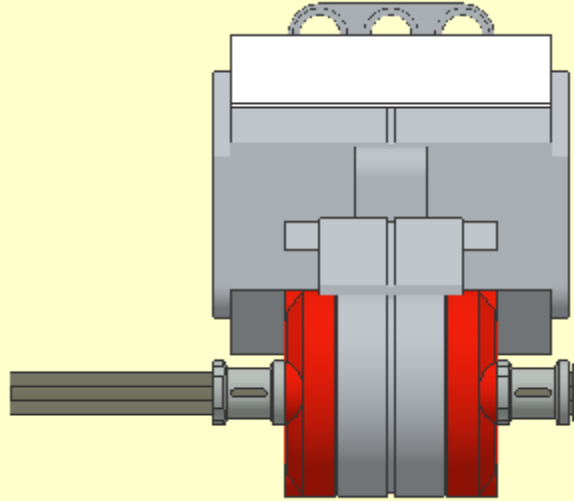
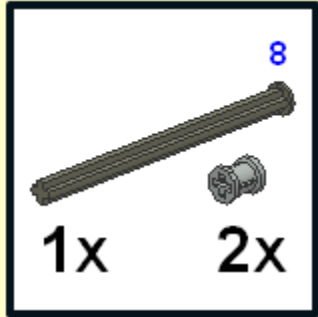
9



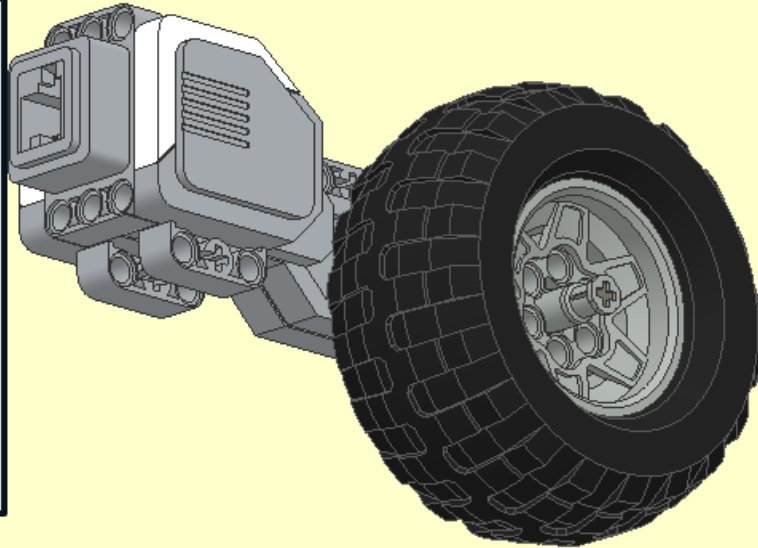
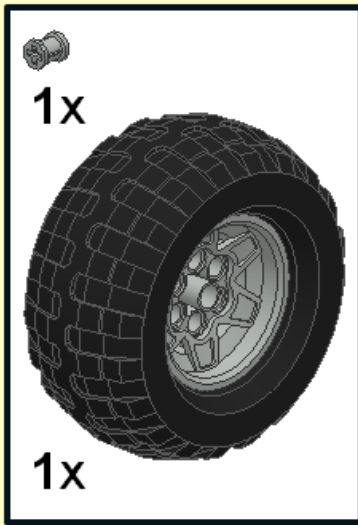
1



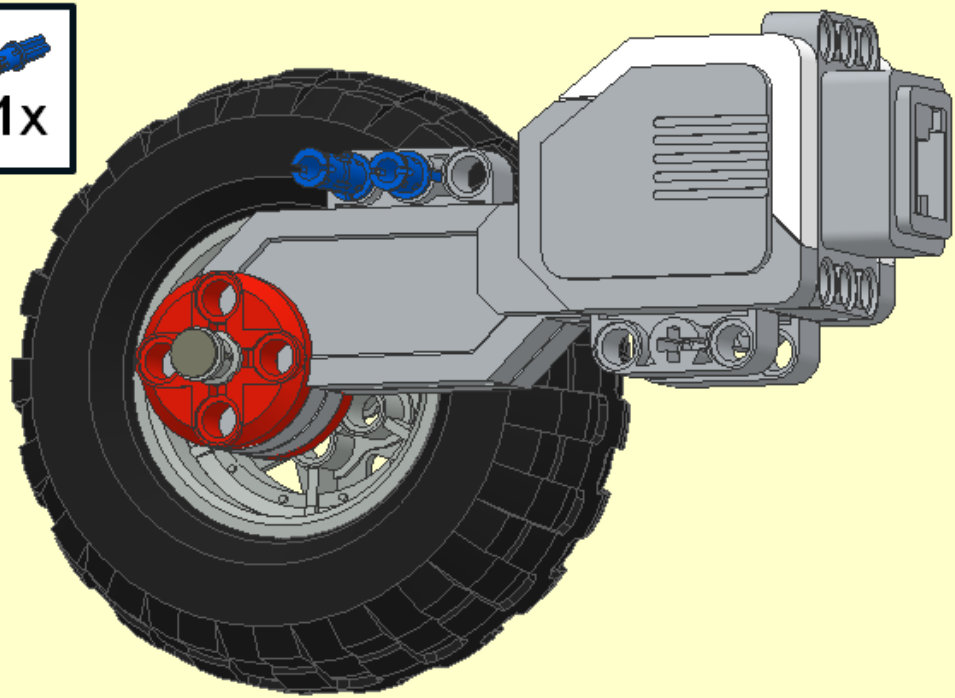
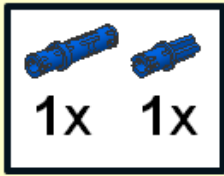
2



3

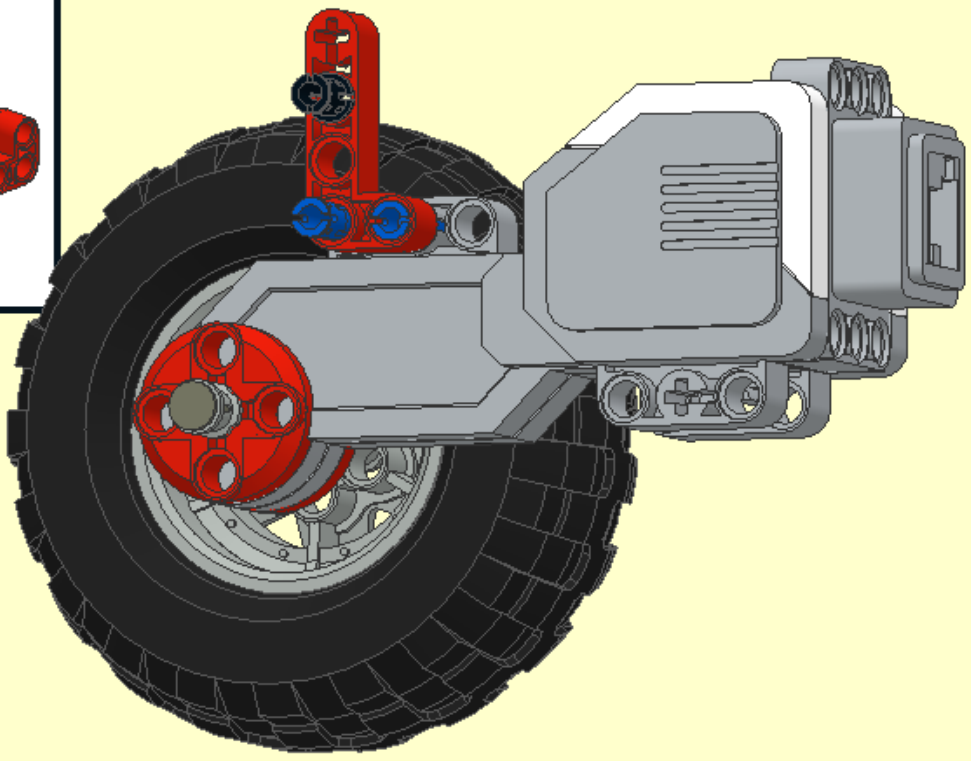


4



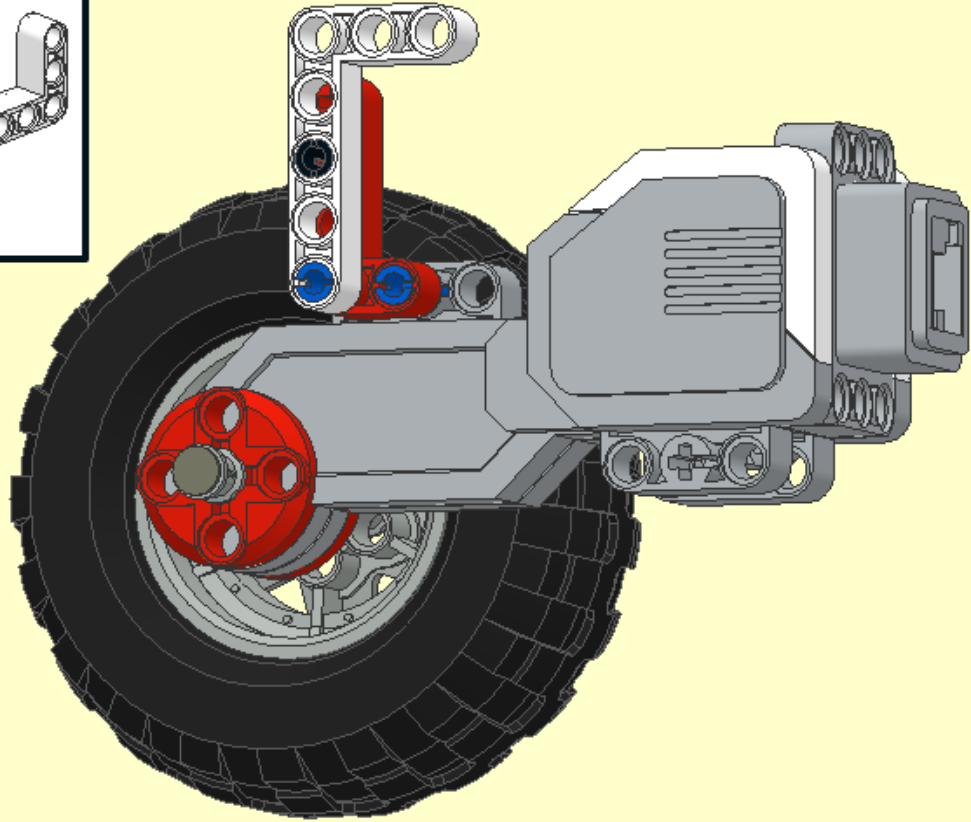
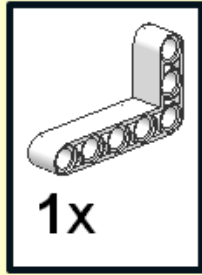
5

- 1x 
- 1x 





6



# 10

