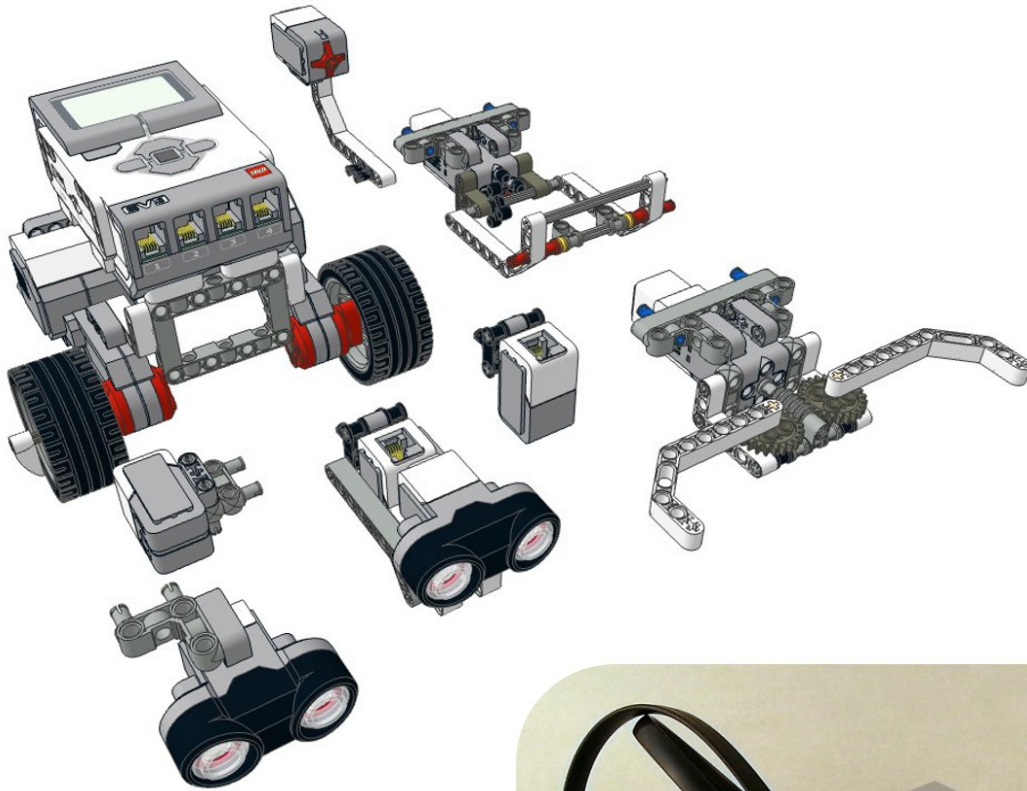


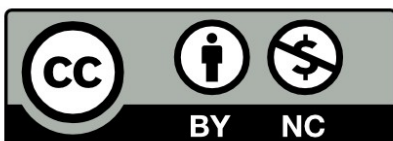
Building Instructions

RileyRover Base Design and Attachments

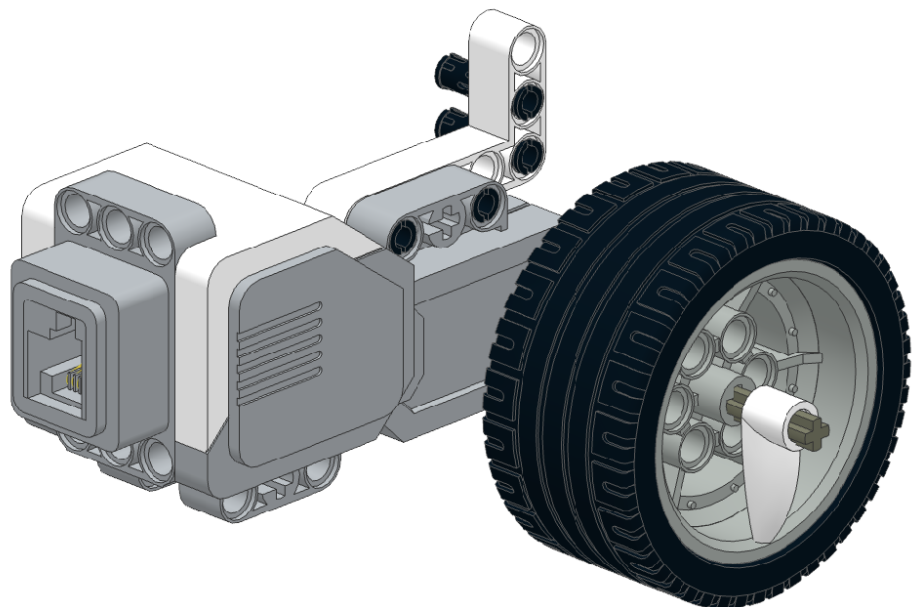
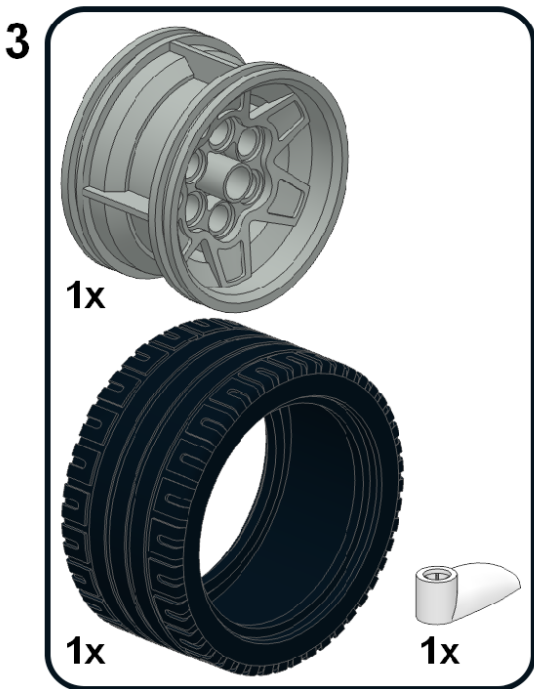
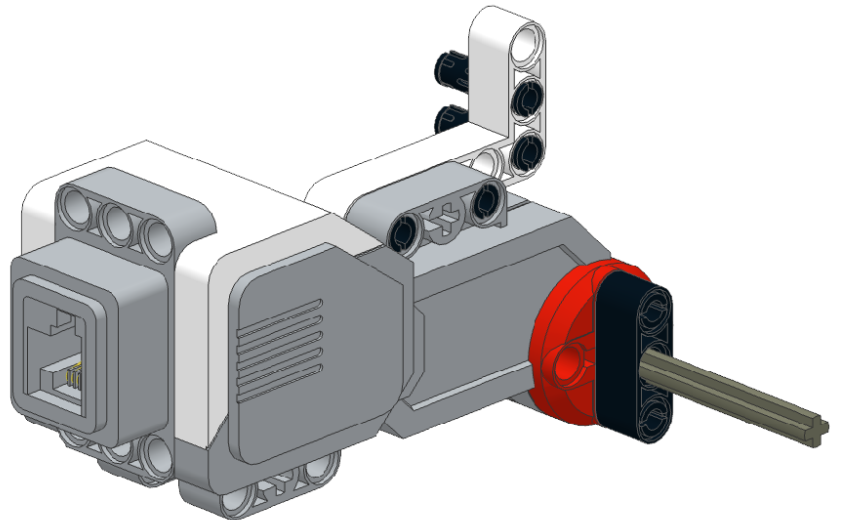
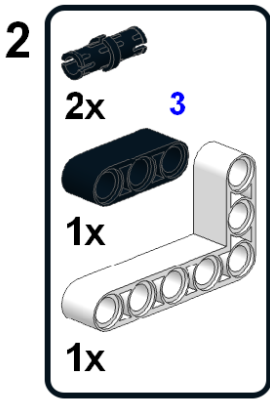
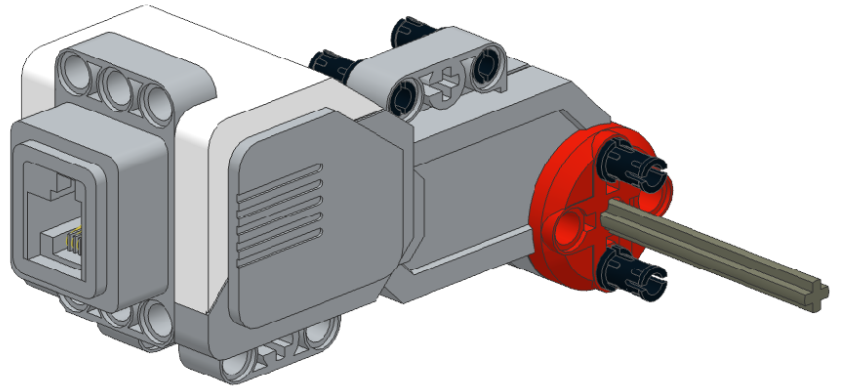
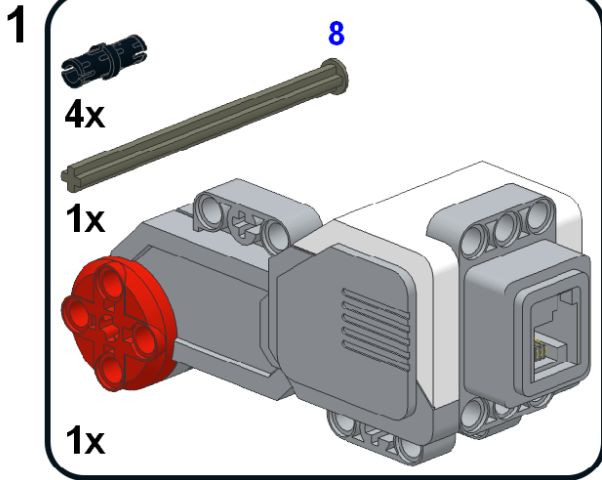


Please Share!
Attribution to
www.damienkee.com

Not for commercial use unless
prior permission granted.

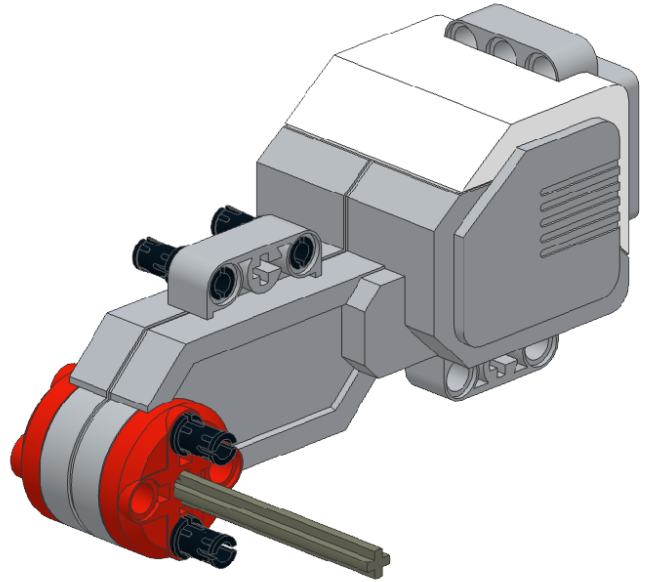
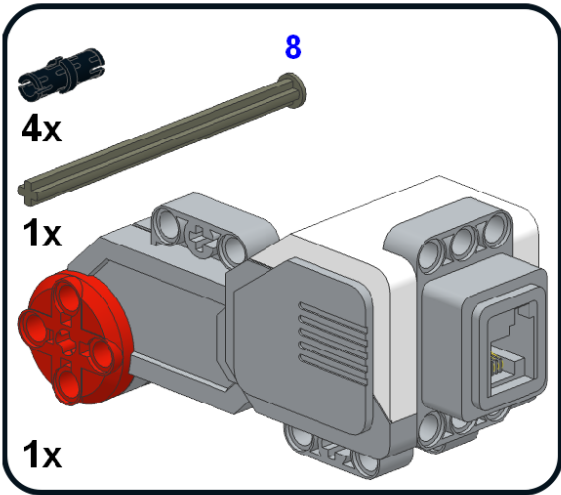


Right Motor Assembly

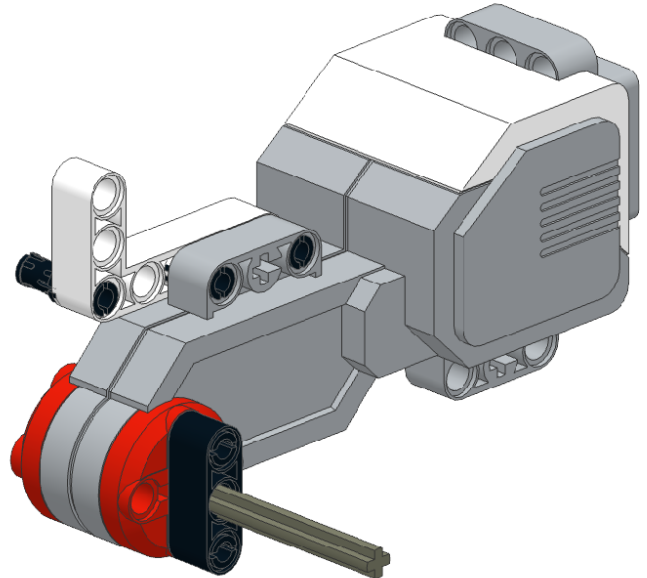
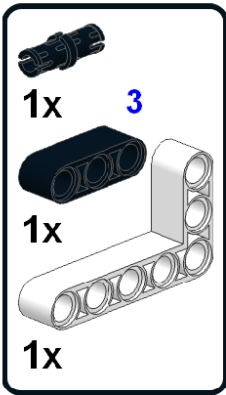


Left Motor Assembly

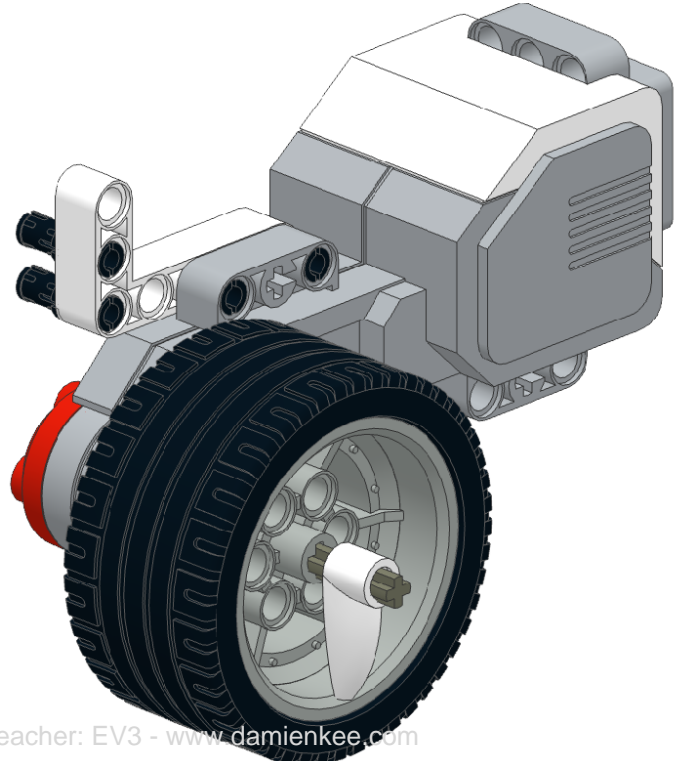
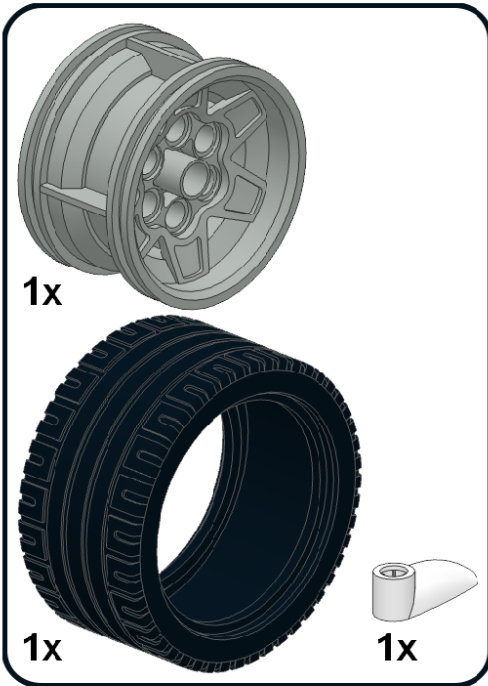
1



2

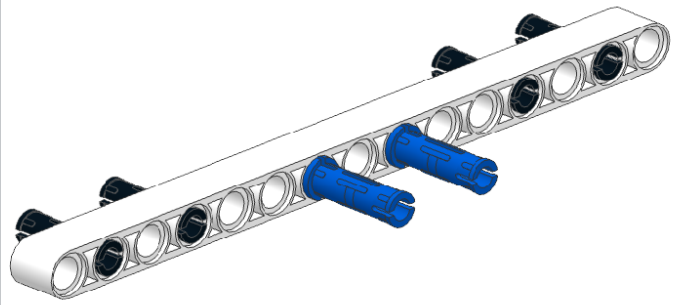
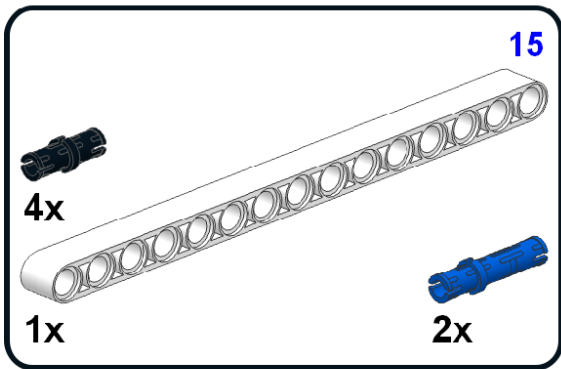


3

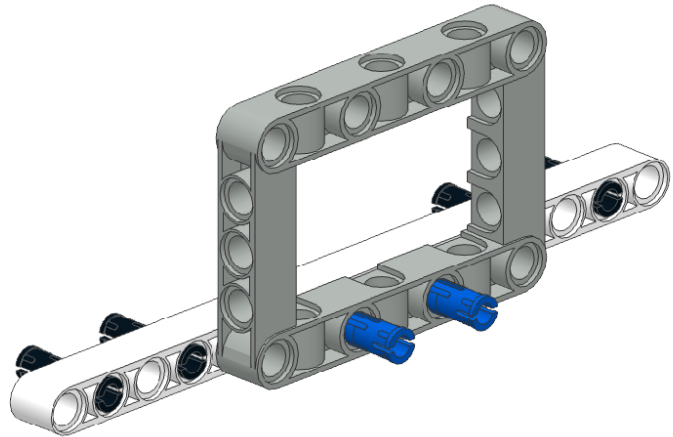
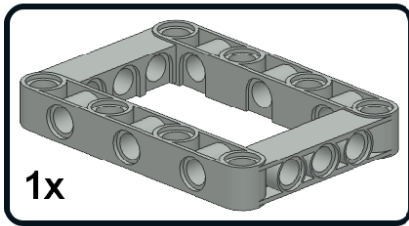


Back Castor Assembly

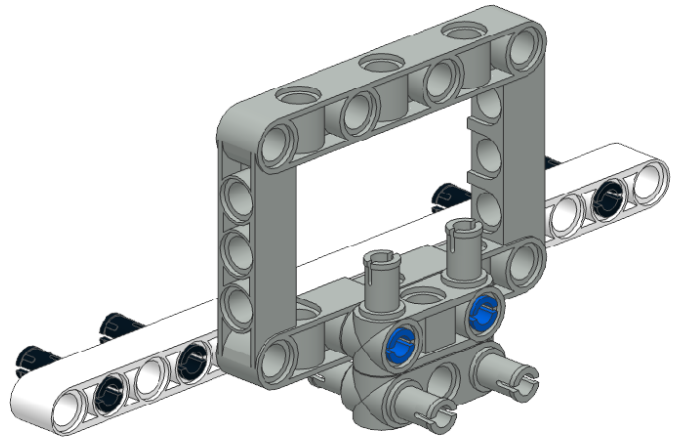
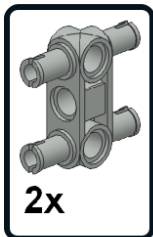
1



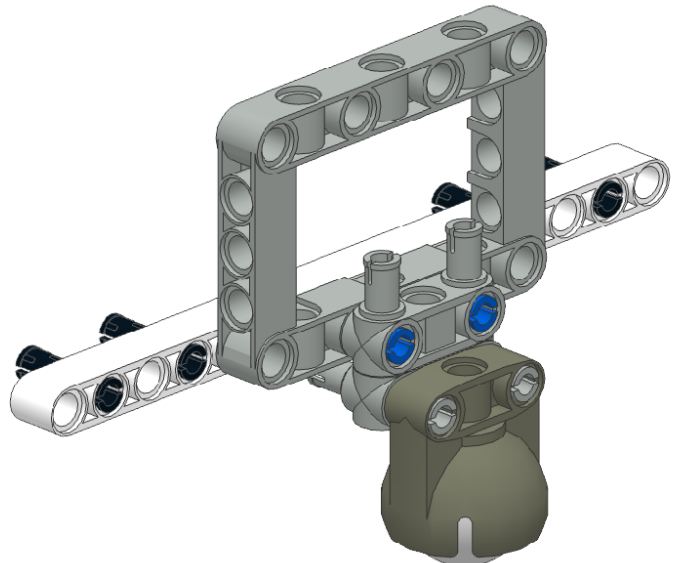
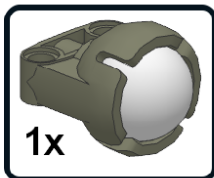
2



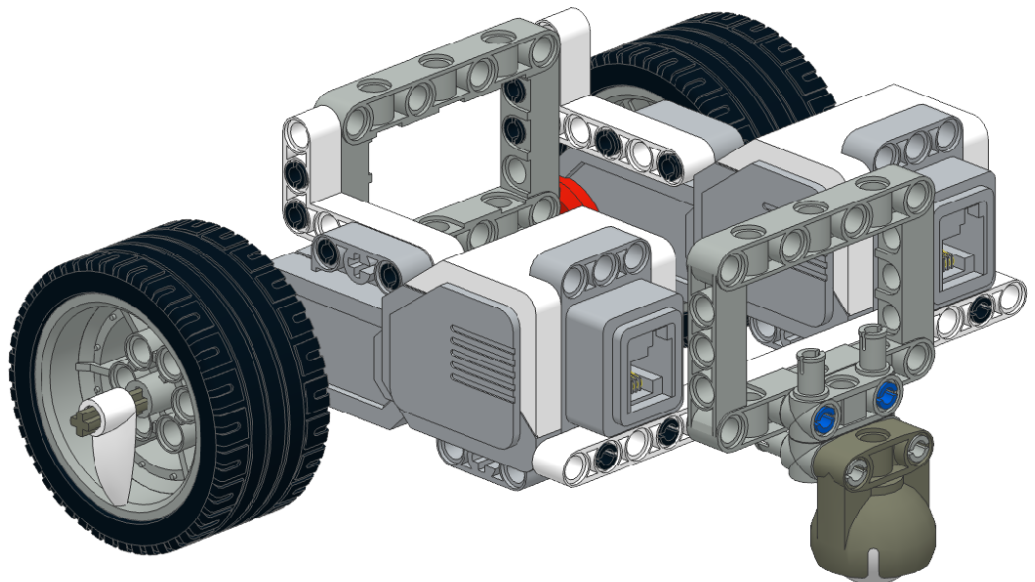
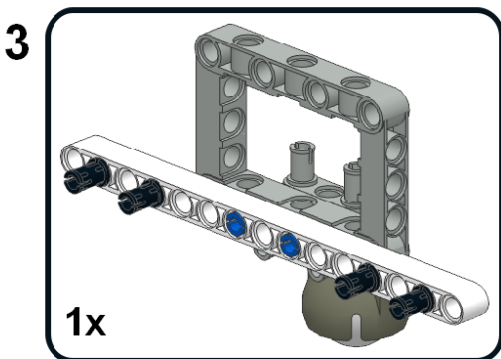
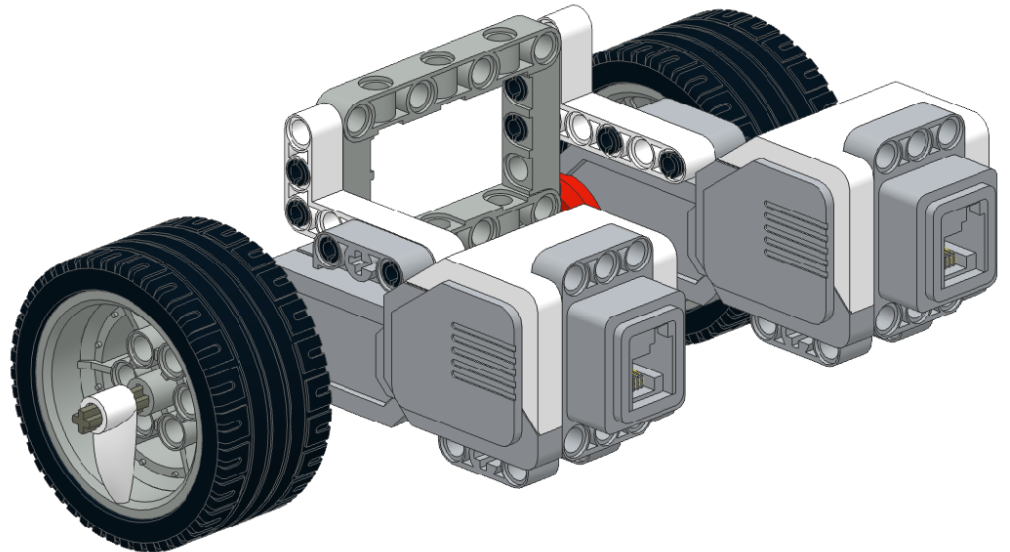
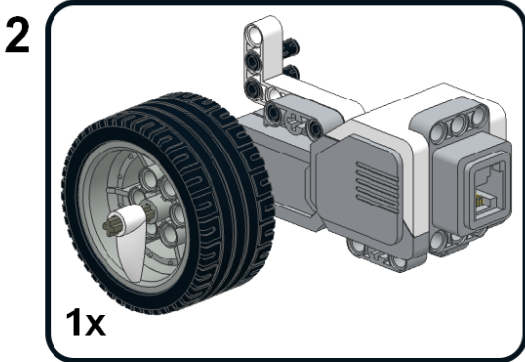
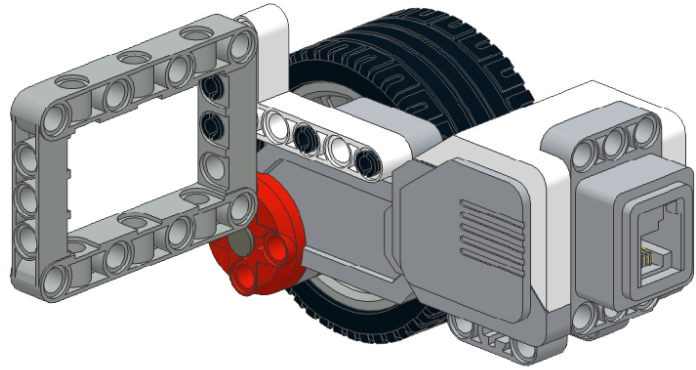
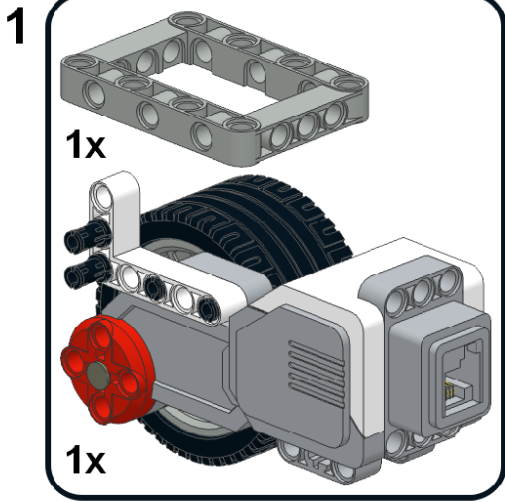
3



4

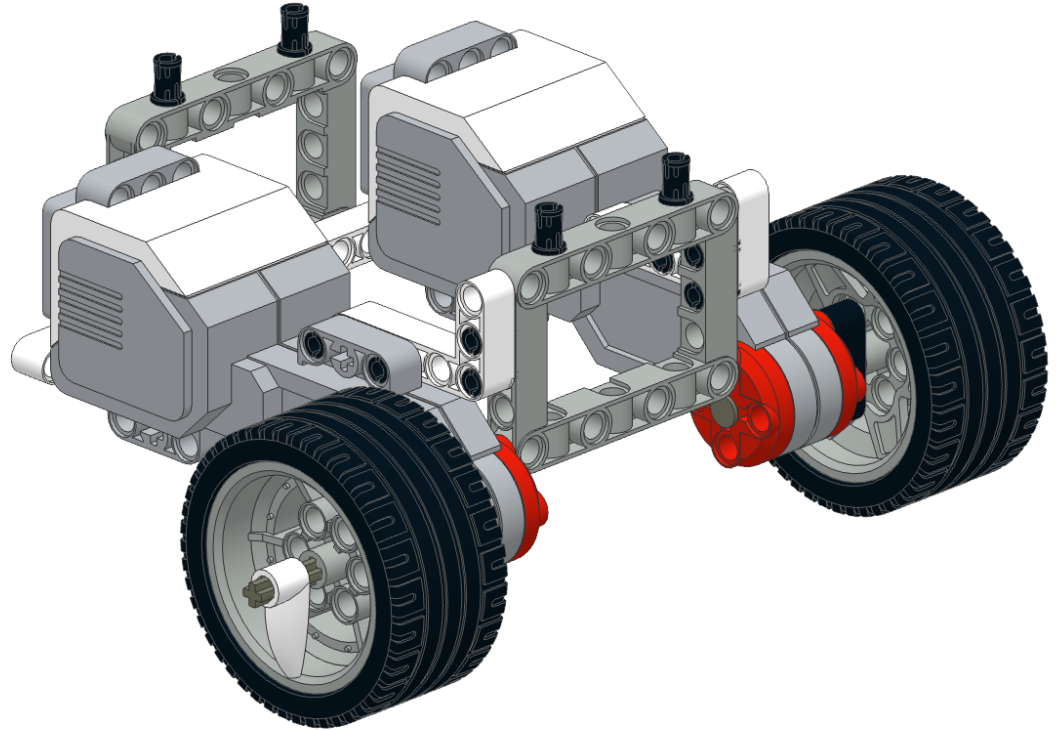


Assemble Right Motor, Left Motor and Back Castor

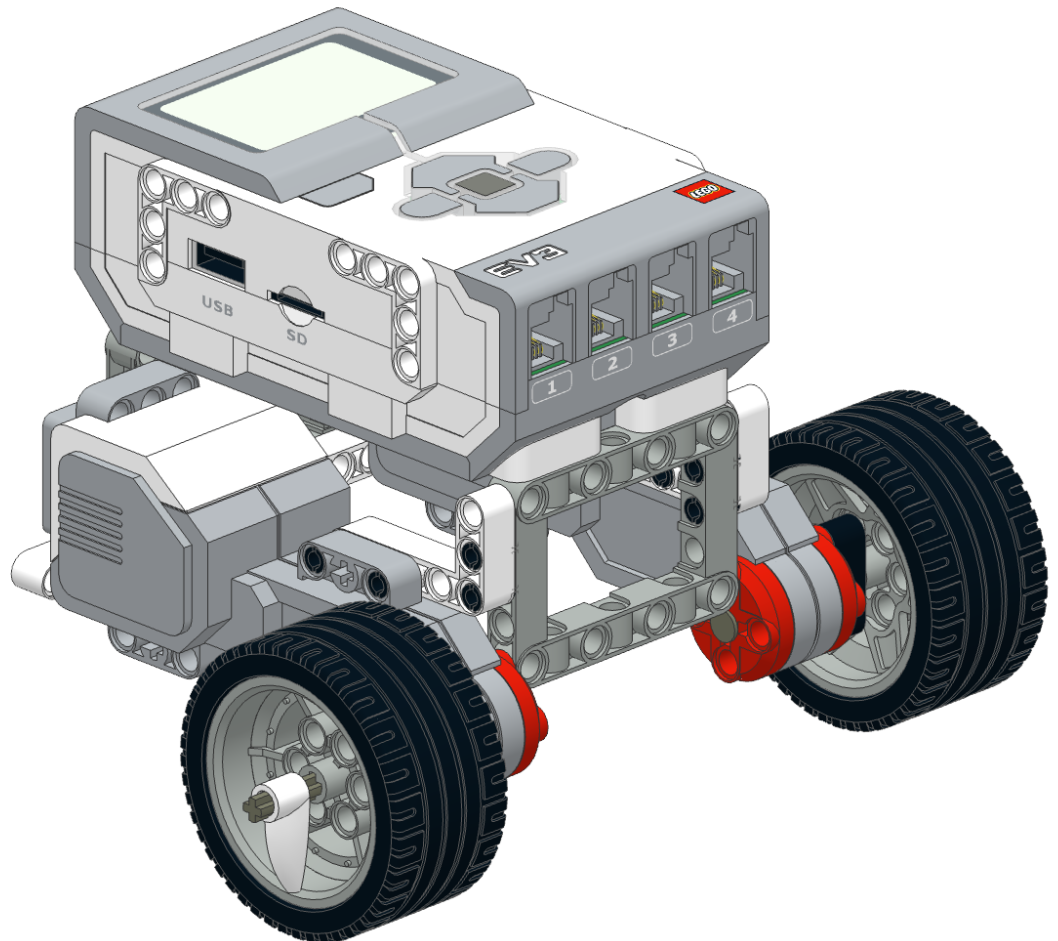
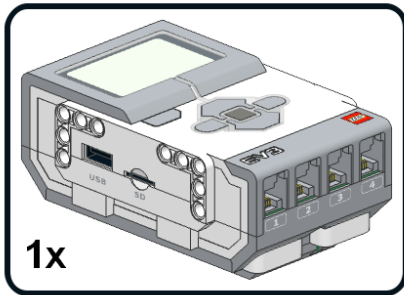


Turn Base around

4



5



Connect the Cables

Left Motor : B - Right Motor : C
(for this design, the cables will cross over)

