

CONSTRUCTOPEDIA

NXT Kit 9797

Beta Version 2.1
June 2008

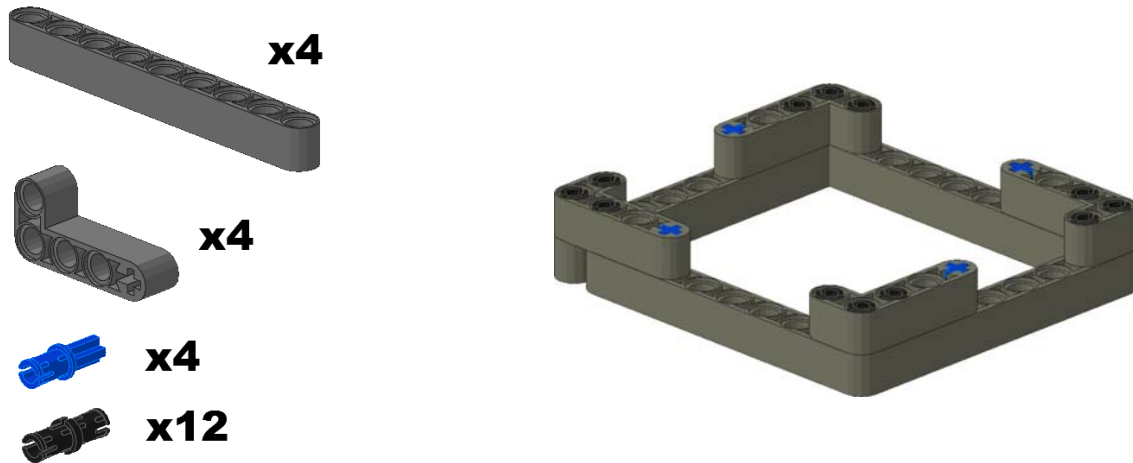


Table of Contents

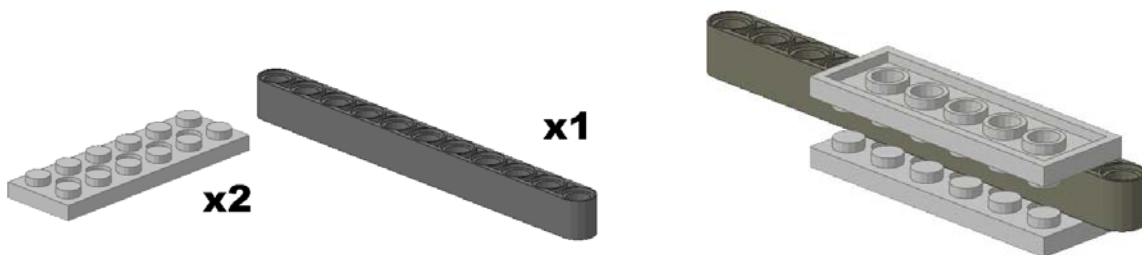
I. Simple Shapes and Structures	Page 3
1. Square	
2. Reversing Trick	
3. Cube	
4. Arch	
5. Beams	
6. Triangles	
II. Ways To Attach NXT Motors	Page 6
1. Simple Side	
2. Underside Motor	
3. One Step Motor	
4. Angled Back	
5. Sturdy Motor	
6. Wide Back	
7. Compact Motor	
8. Vertical Motor	
III. Front End Setups	Page 35
1. Swiveling Front	
2. Long Front	
3. Sliding Front	
4. Single Wheel	
IV. Full Car Model	Page 51

I. Simple Shapes and Structures

1. Square



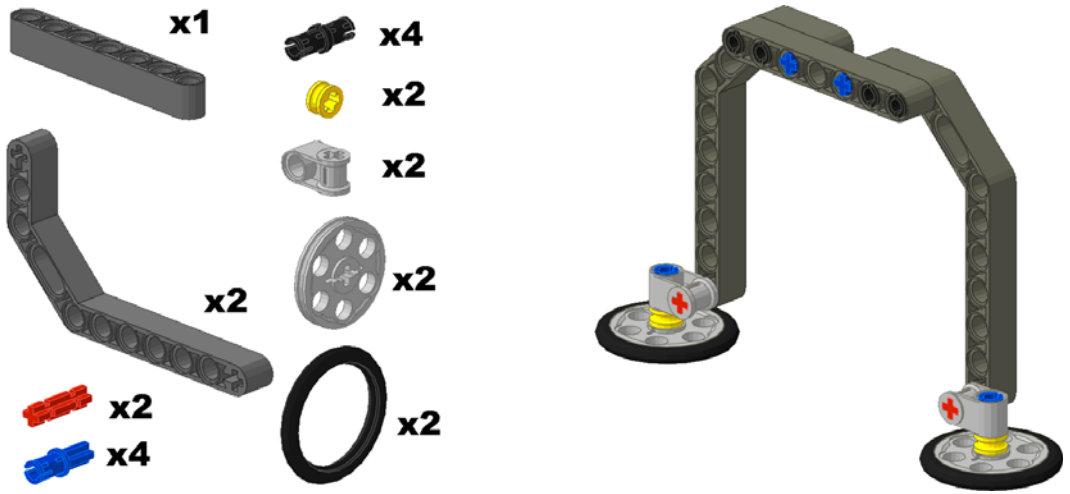
2. Reversing Trick



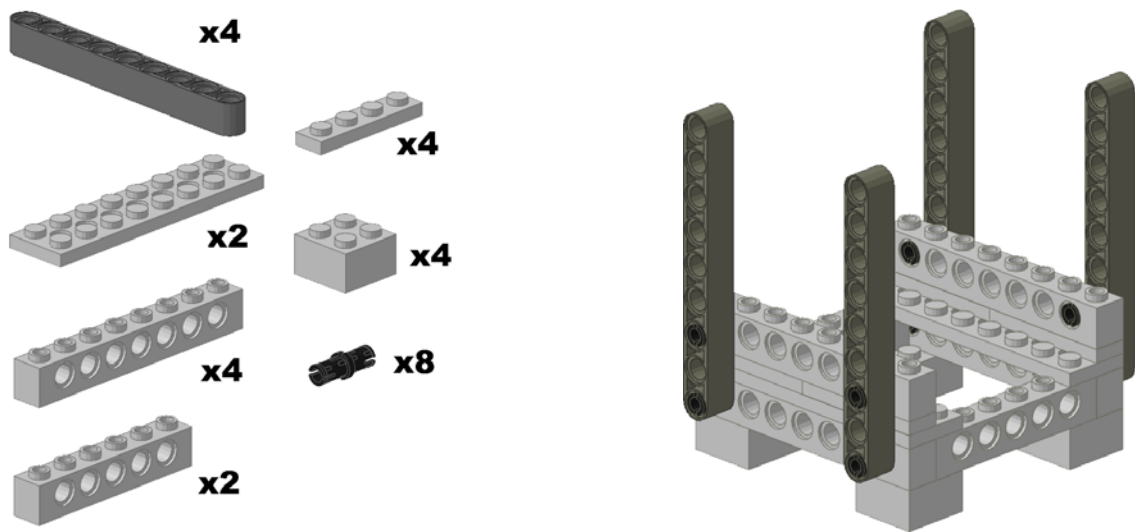
3. Cube



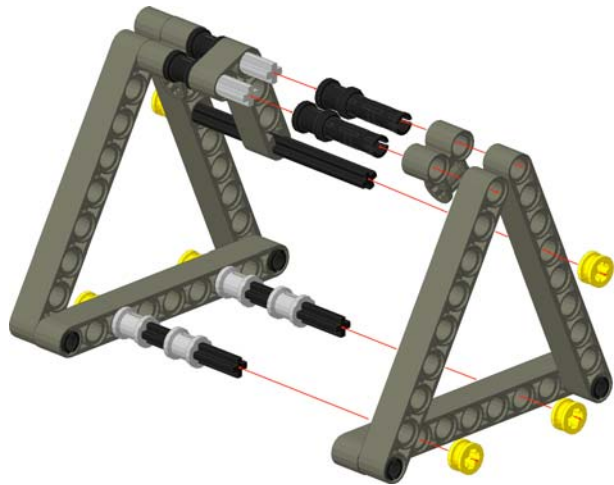
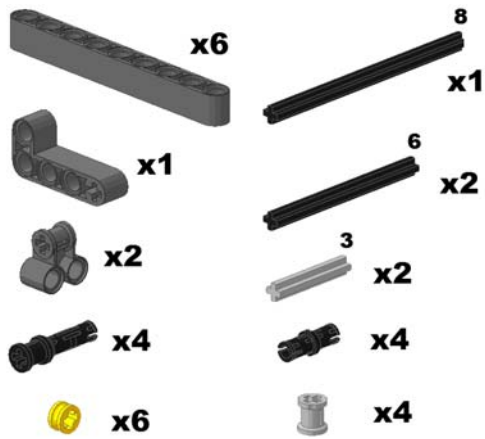
4. Arch



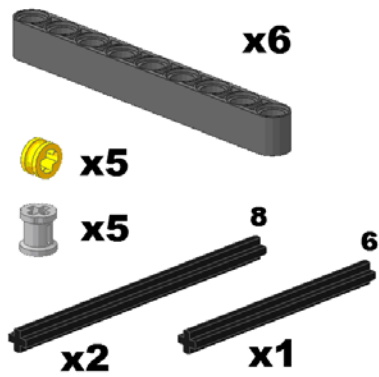
5. Beams



6. Triangles - Option 1

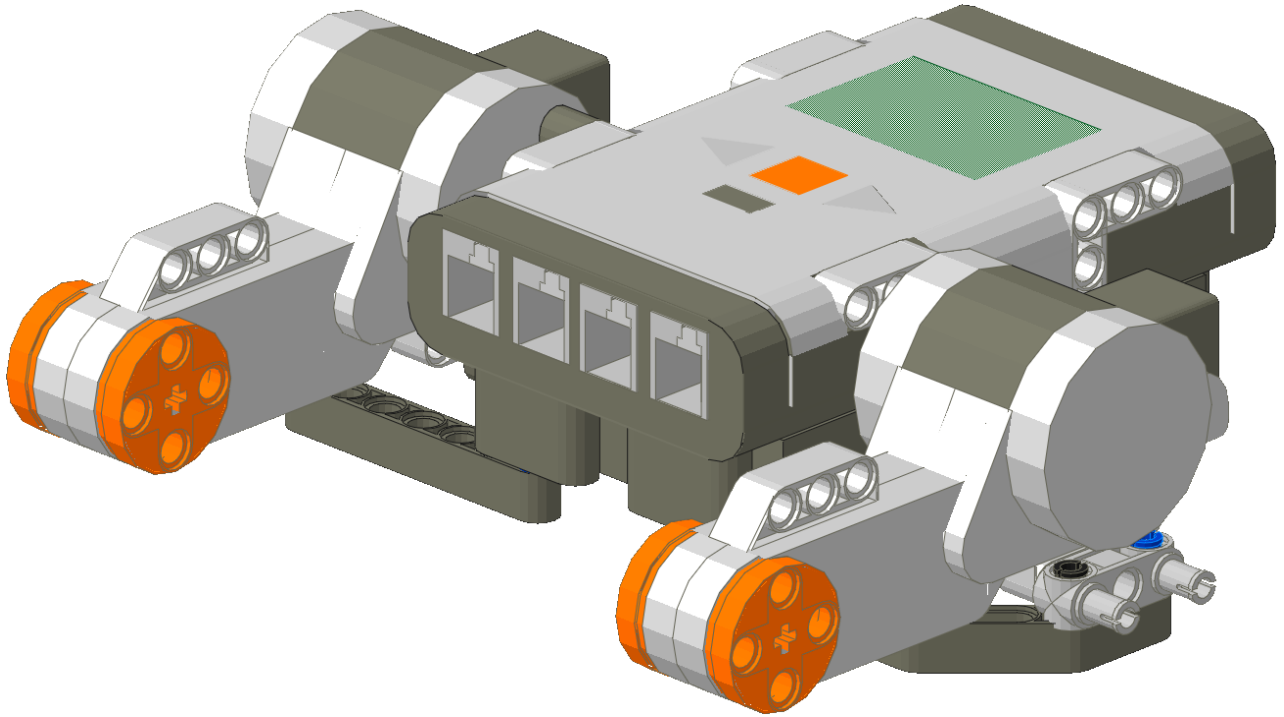


Option 2



II. Ways to Attach NXT Motors

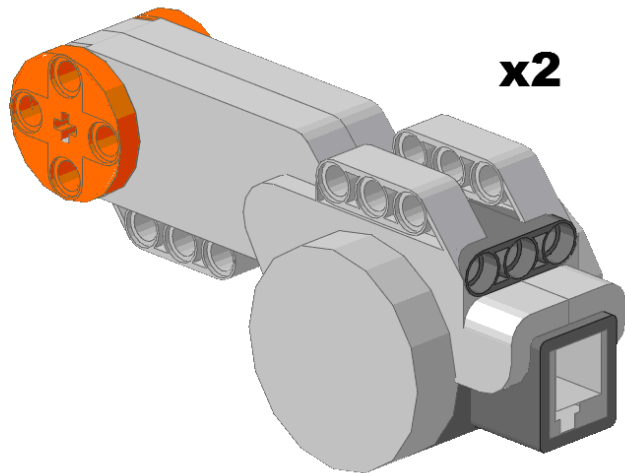
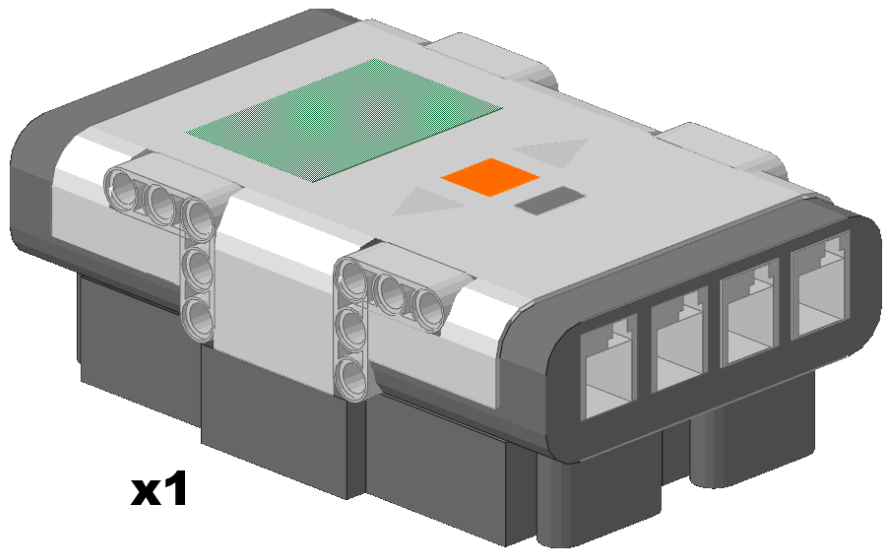
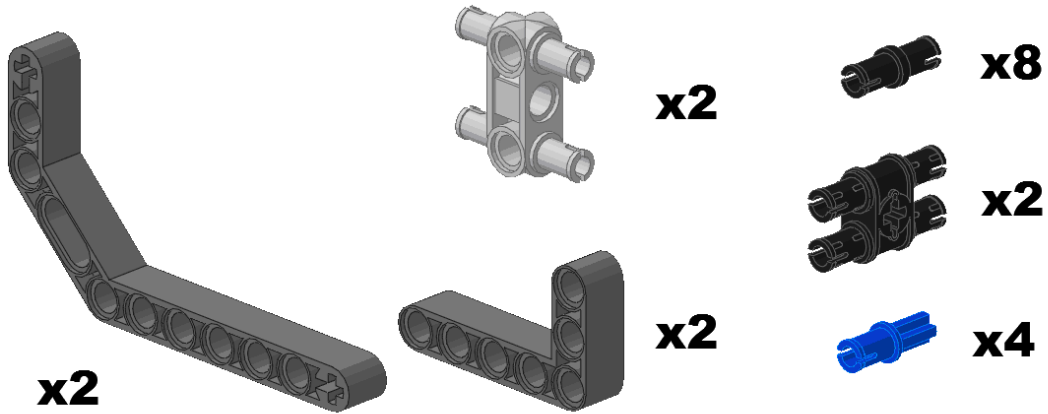
1. Simple Side Attachment



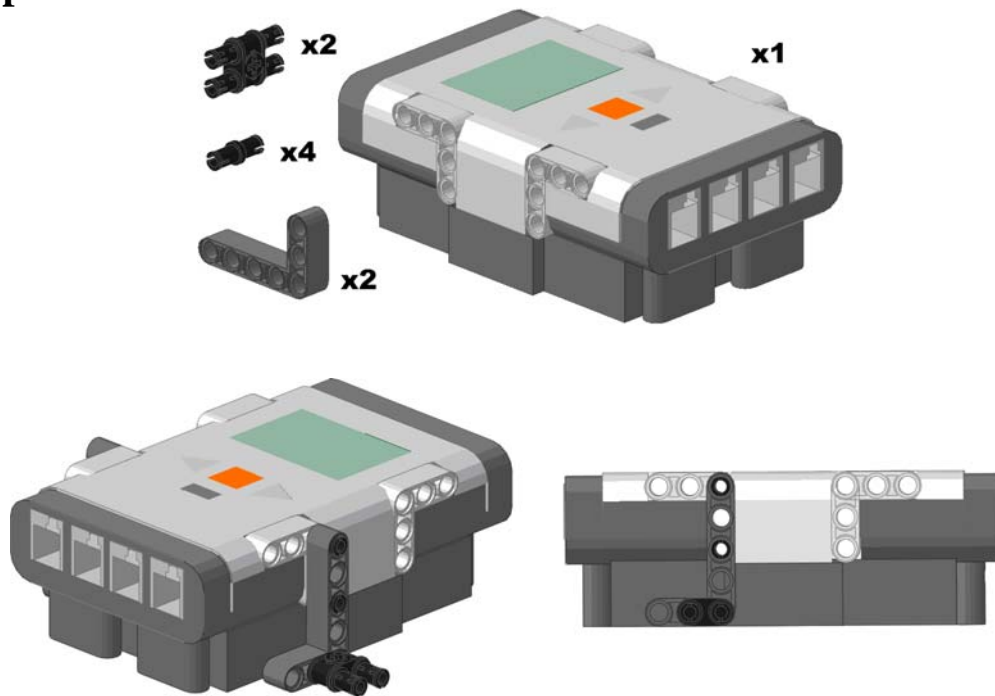
Model Description:

This is a motor attachment option in which the motors attach closely to the sides of the NXT.

These are the parts that you will need:

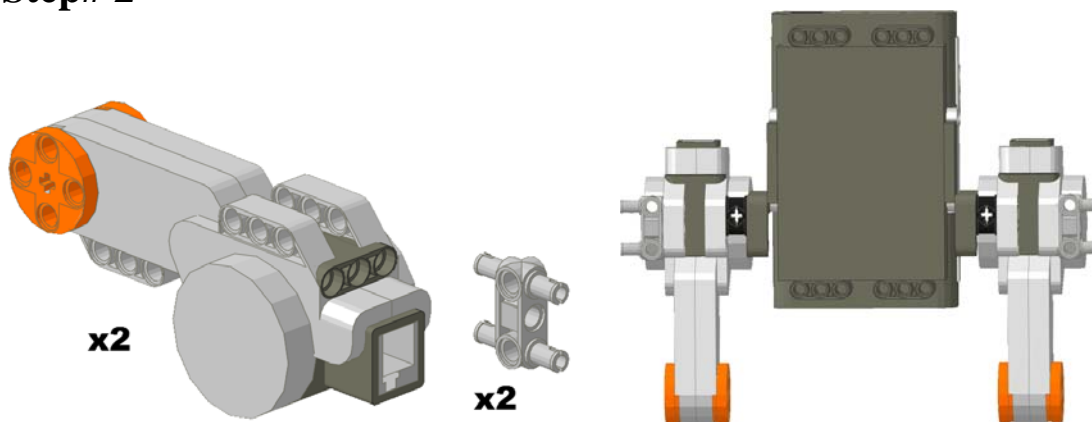


Step# 1



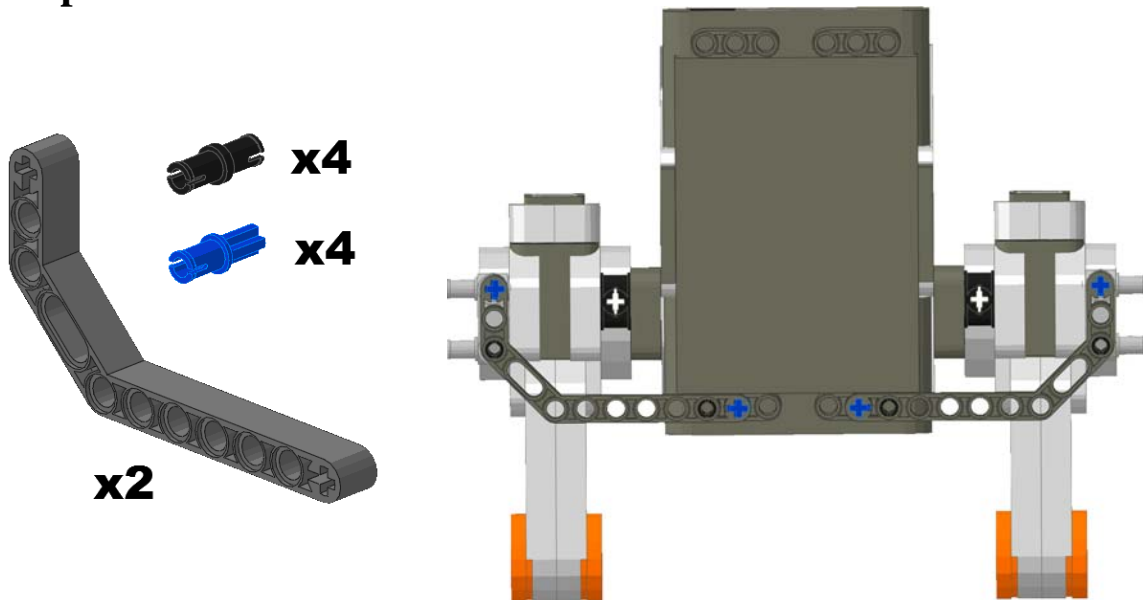
Attach 2 bent beams to the NXT using friction pins. The shorter portion of the beam should be sticking out from the NXT. Insert a double pin connector into this portion.

Step# 2



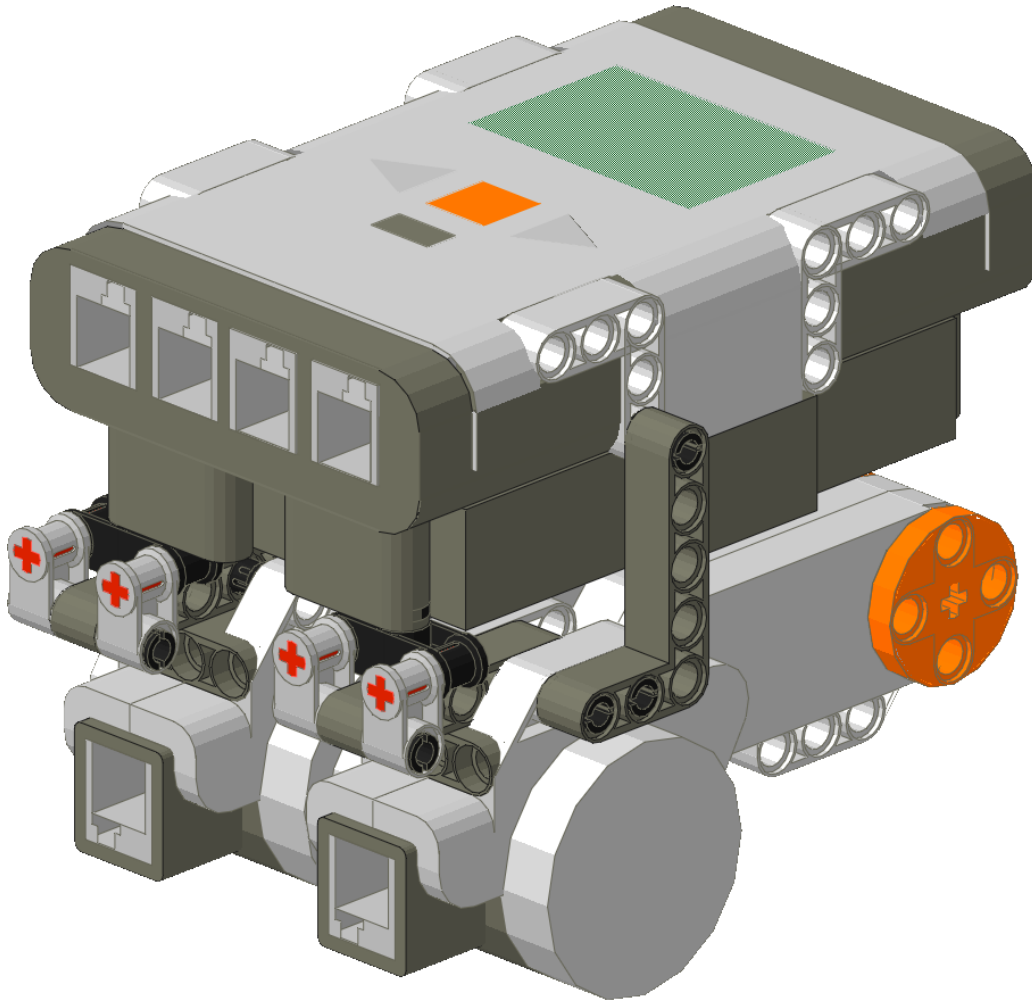
Fasten the motors to the double pin connectors on the bent beams. Then fit a 4 pin connector into the outside mounting beam on the NXT.

Step# 3



Attach the double bent beam to the 4 pin connector and the NXT using the axle pins and friction pins.

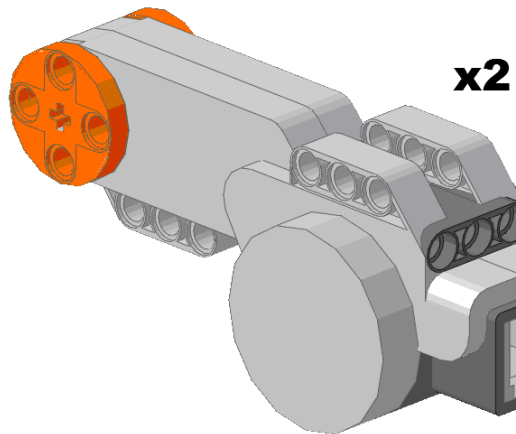
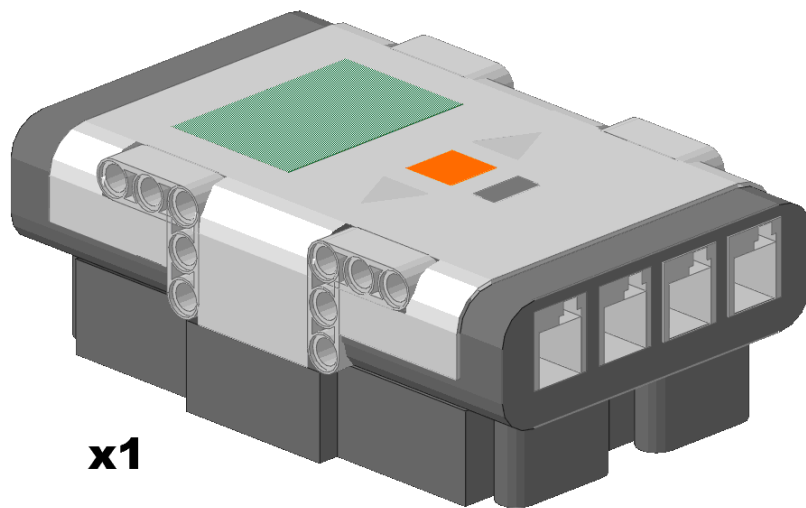
2. Underside Motor Attachment



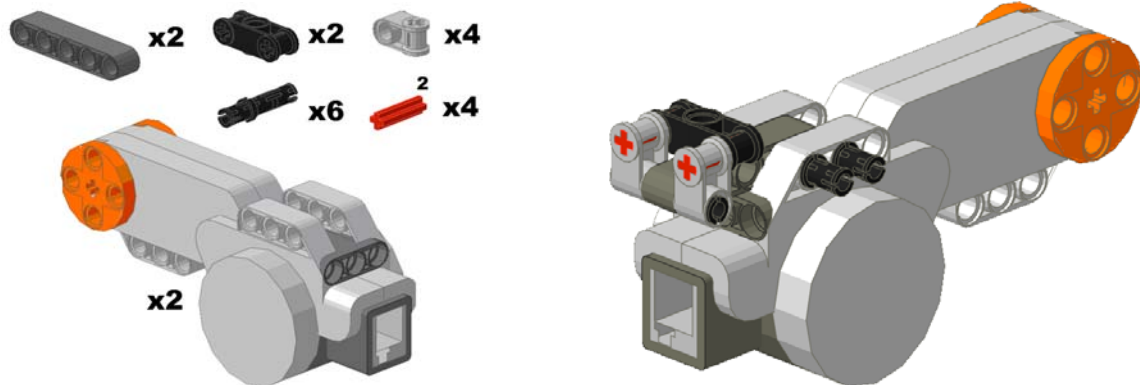
Model Description:

This is a simple, stable way to attach two motors under the NXT.

These are the parts that you will need:

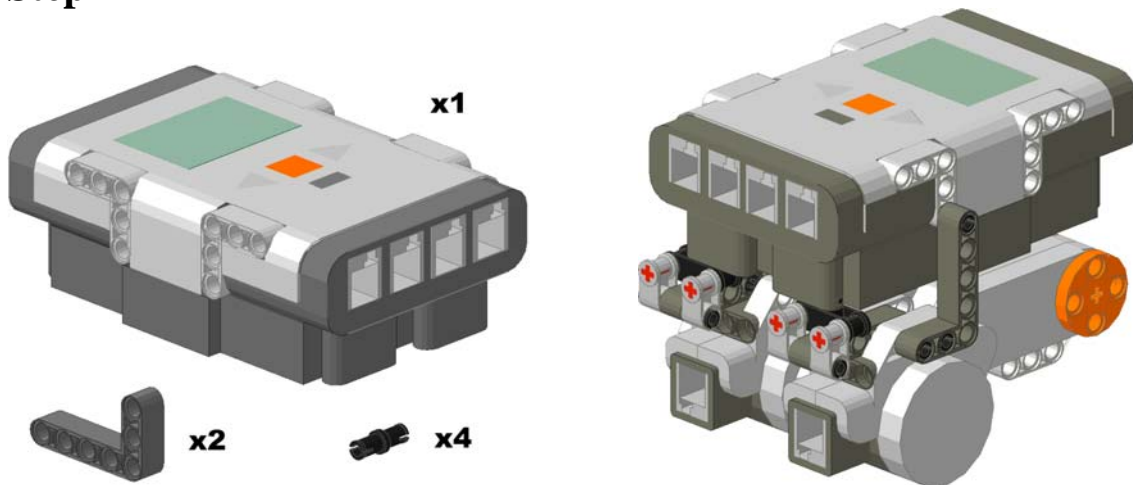


Step# 1



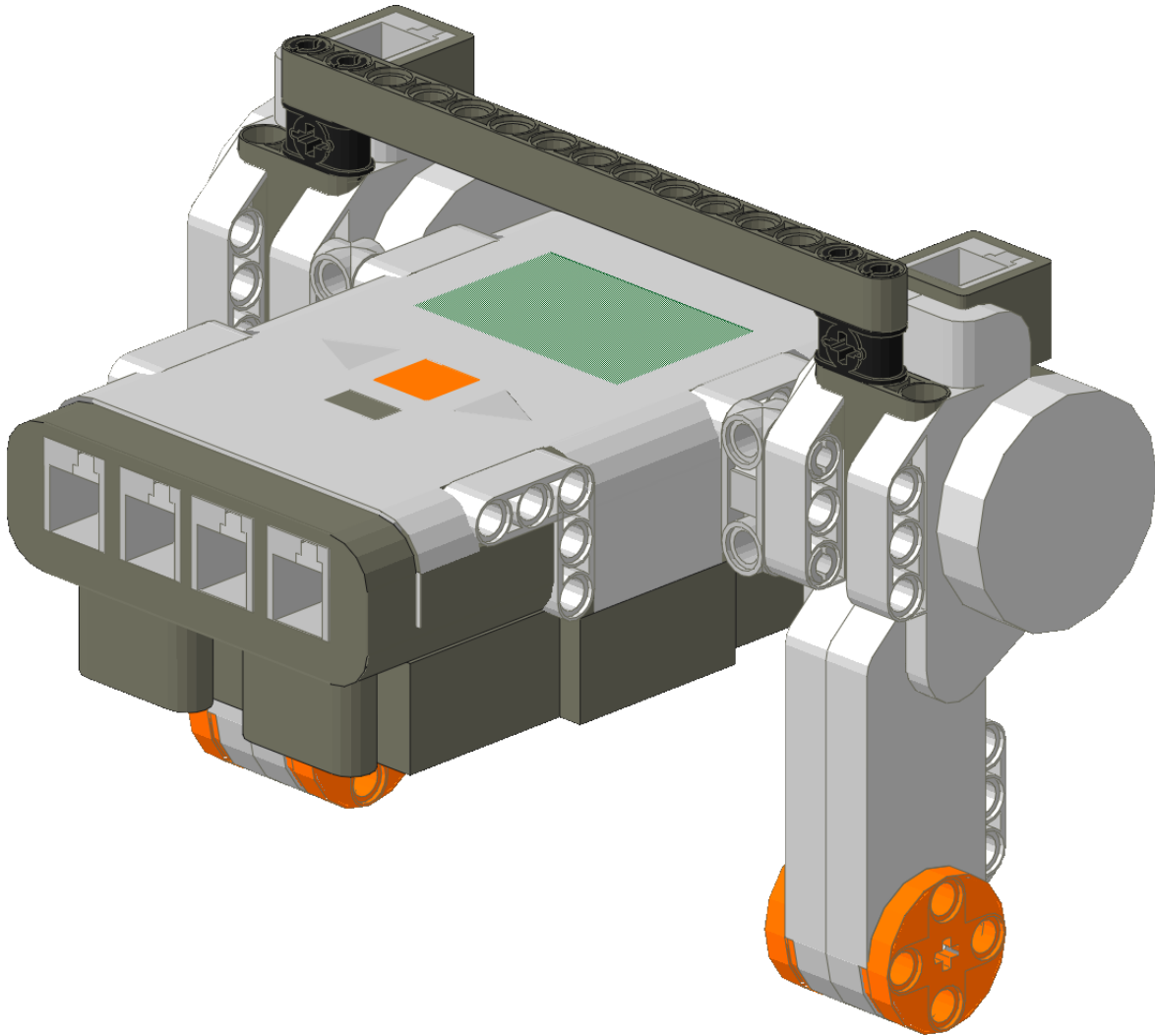
Connect 2 gray axle joiners to the black axle joiner using two 2 stud axles. Connect the 5 hole beam to the gray axle joiners using a long friction pin. Then connect the beam to the motor using 2 more long friction pins. Repeat this process for the 2nd motor.

Step# 2



Attach each motor assembly to the bottom of the NXT by the black axle joiner, using a friction pin. Then secure each motor using the bent beam.

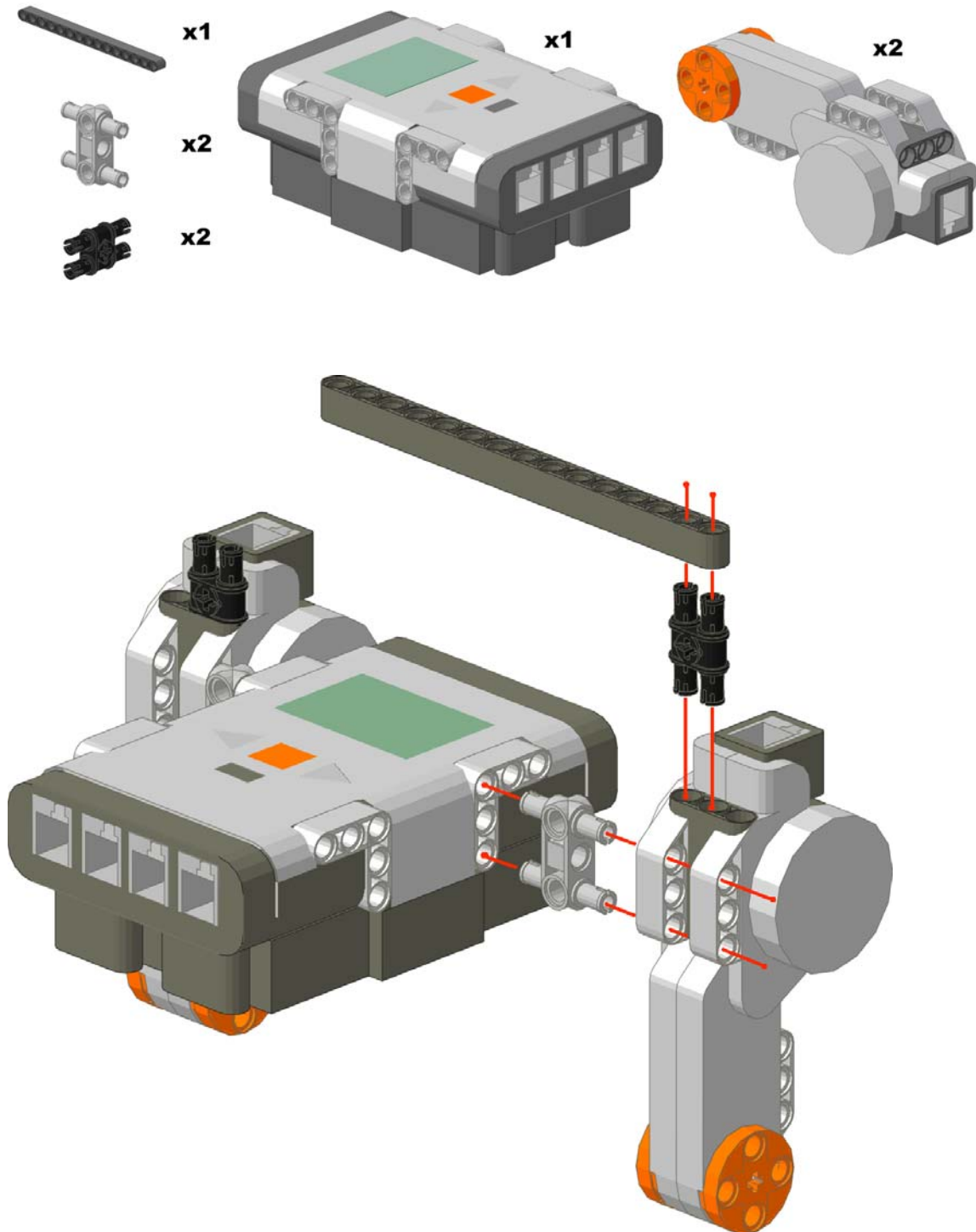
3. One Step Motor Attachment



Model Description:

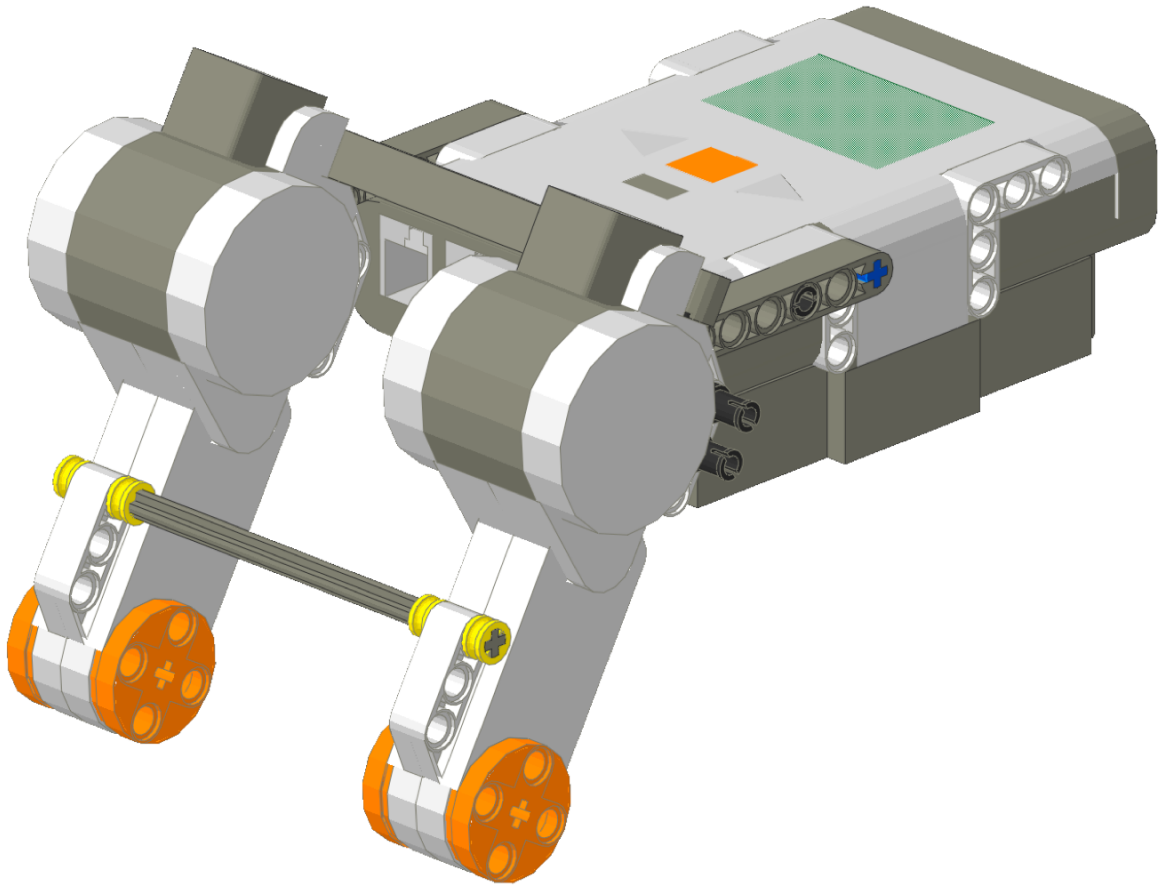
This is a very simple way, using few pieces, to attach motors.

Step# 1 (and only)



Using 1 beam and 4 connector pegs, attach each motor to the NXT. The left and right sides are symmetrical.

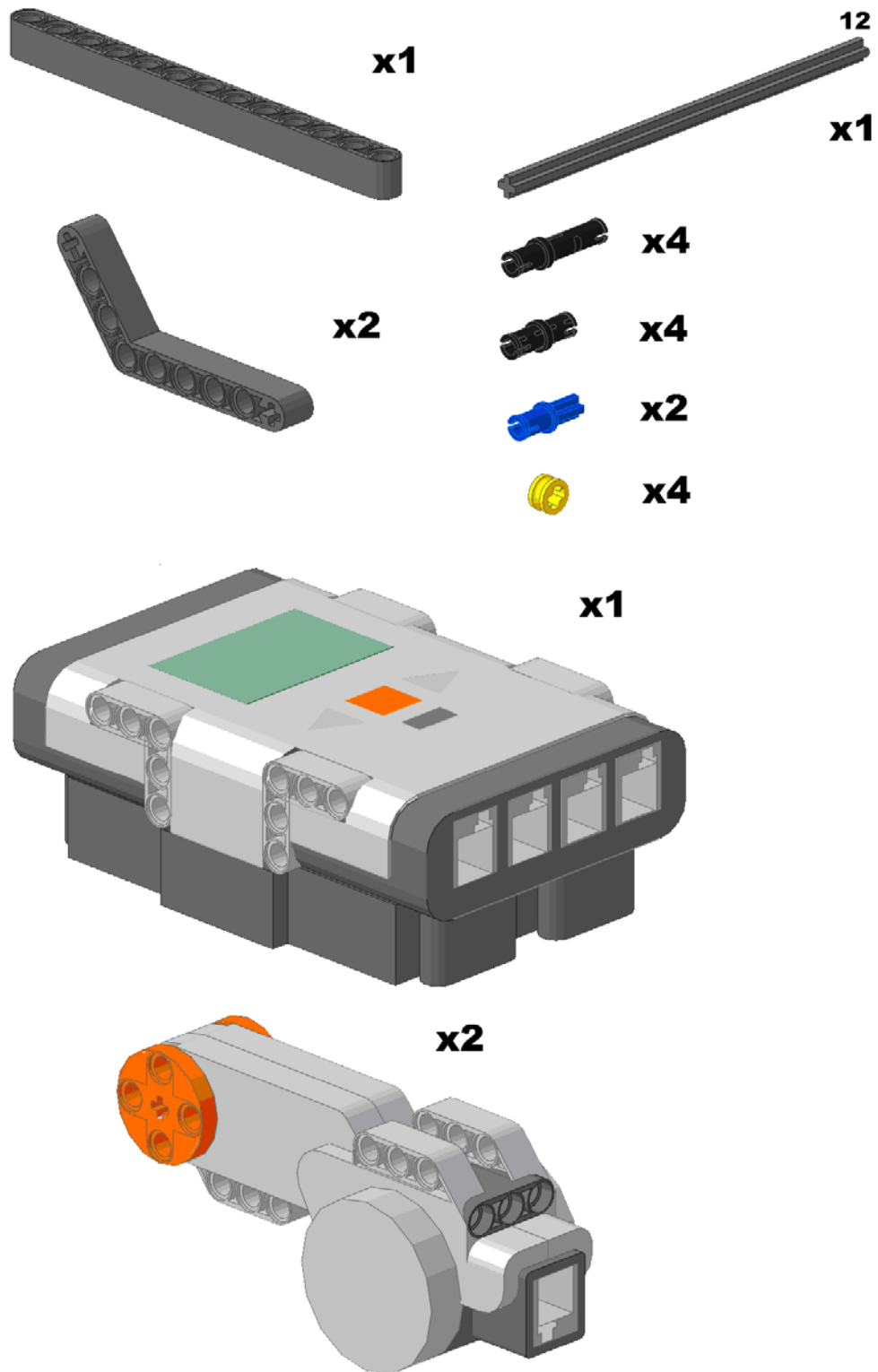
4. Angled Back Attachment



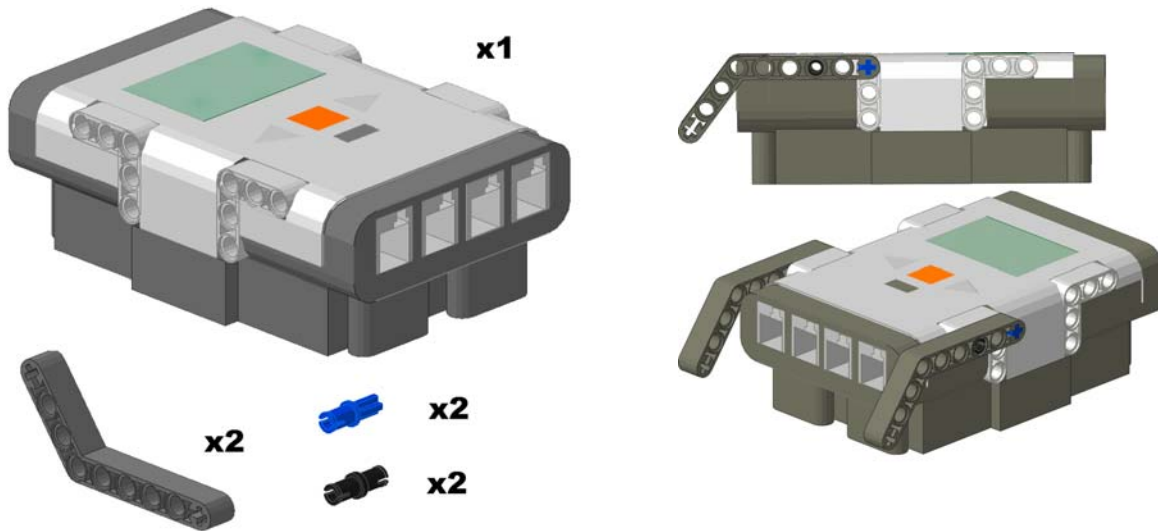
Model Description:

This is a motor attachment option in which the motors angle downward from the NXT.

These are the parts that you will need:

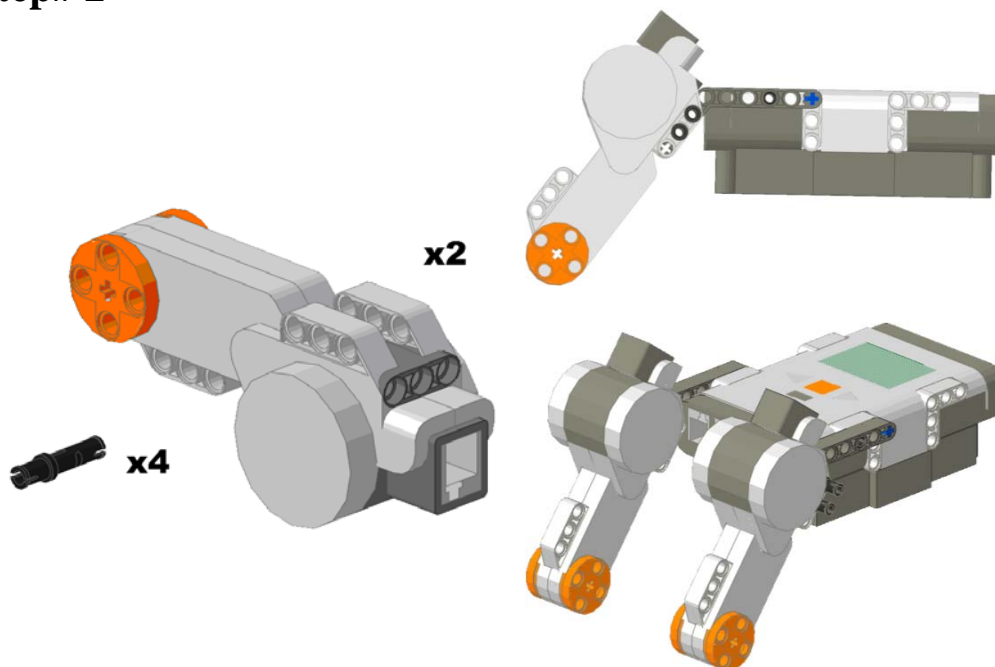


Step# 1

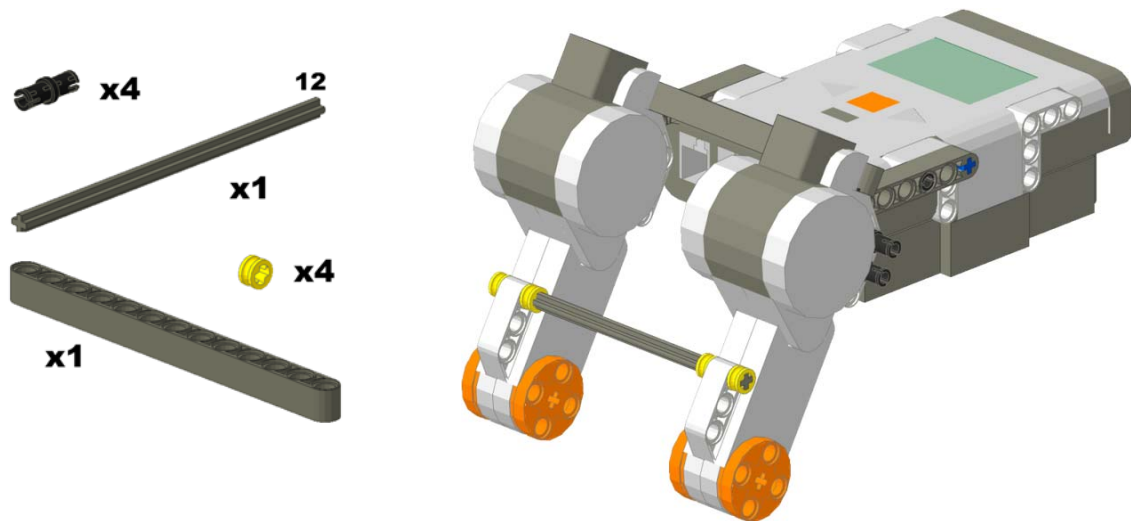


Attach the 2 bent beams to the NXT using a friction pin and an axle pin on each. The shorter portion of the beam should be sticking out from the NXT.

Step# 2

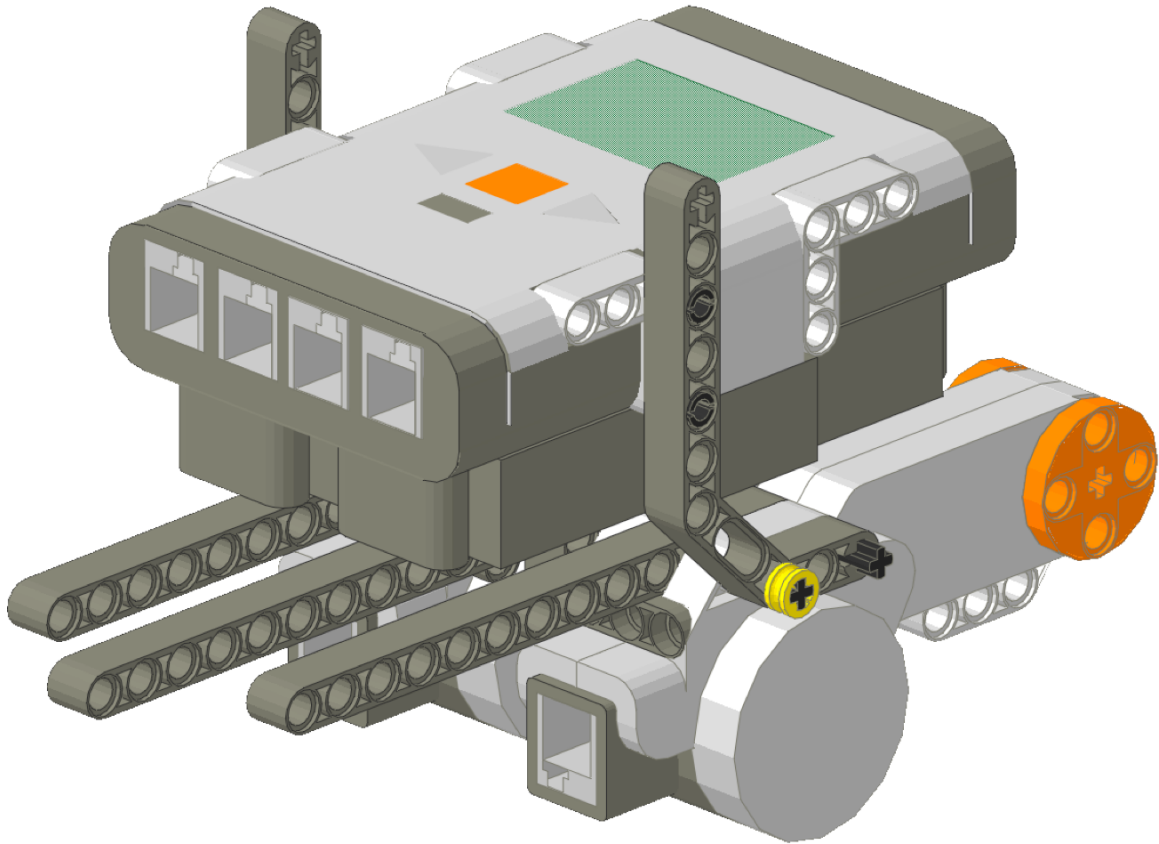


Fasten the motors to the bent beams using the extended pins. Make sure the bent beams are placed in between the 2 mounting beams on the NXT.

Step# 3

Slide the 12 stud axle through the mounting beams of the motor and secure it in place with ½ bushings. Use the friction pins to attach the 13 hole beam across the tops of the motors.

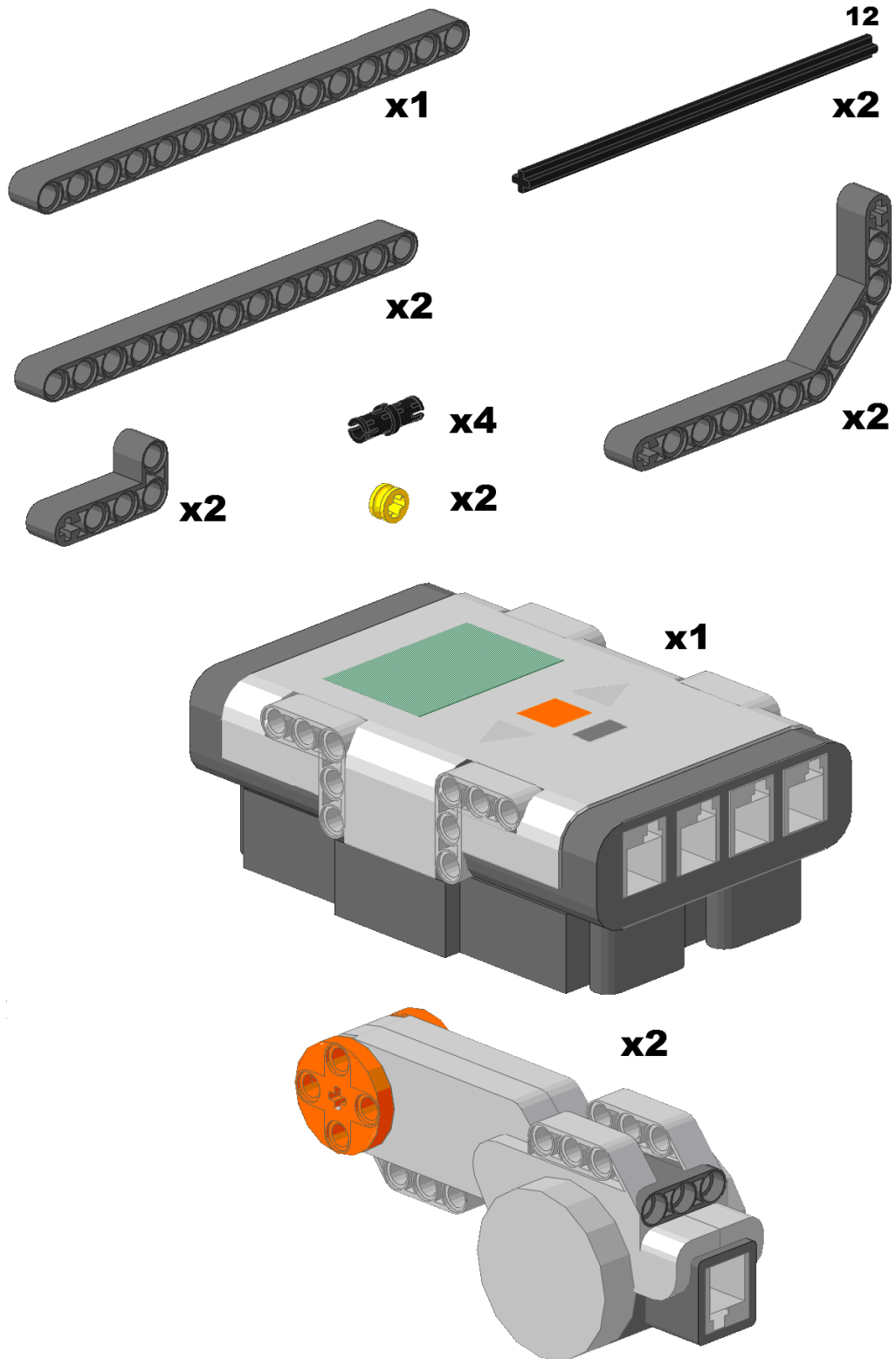
5. Sturdy Motor Attachment



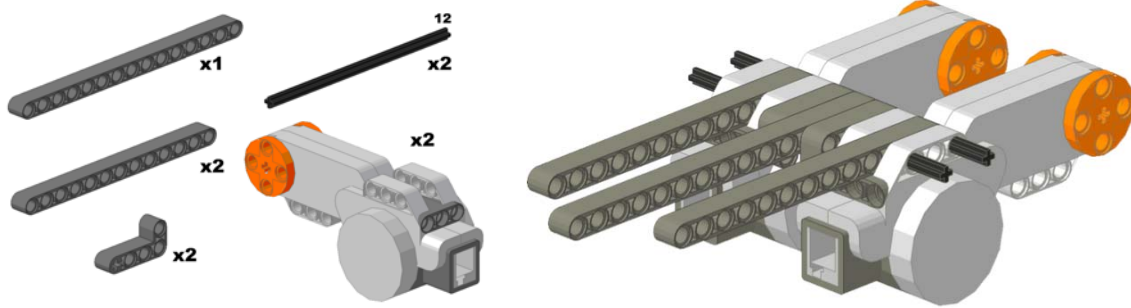
Model Description:

This model is a compact, sturdy, way to attach NXT motors.

These are the parts that you will need:

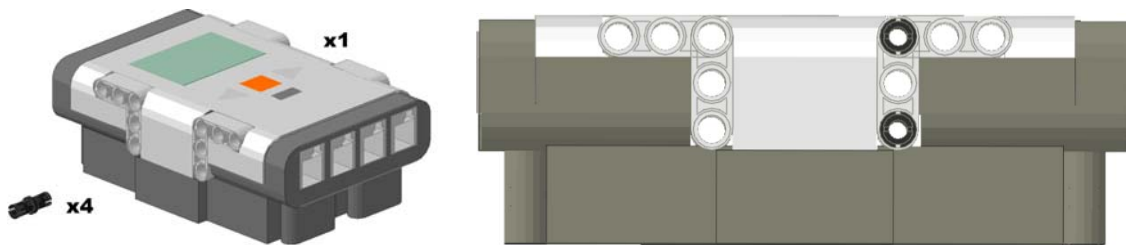


Step# 1



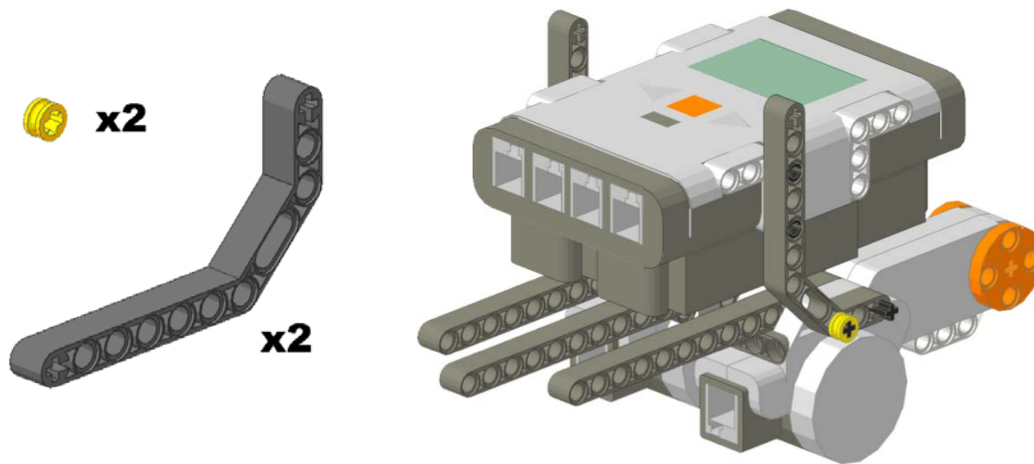
Thread the two 12 stud axles through the NXT motors, beams, and bent beams.

Step# 2



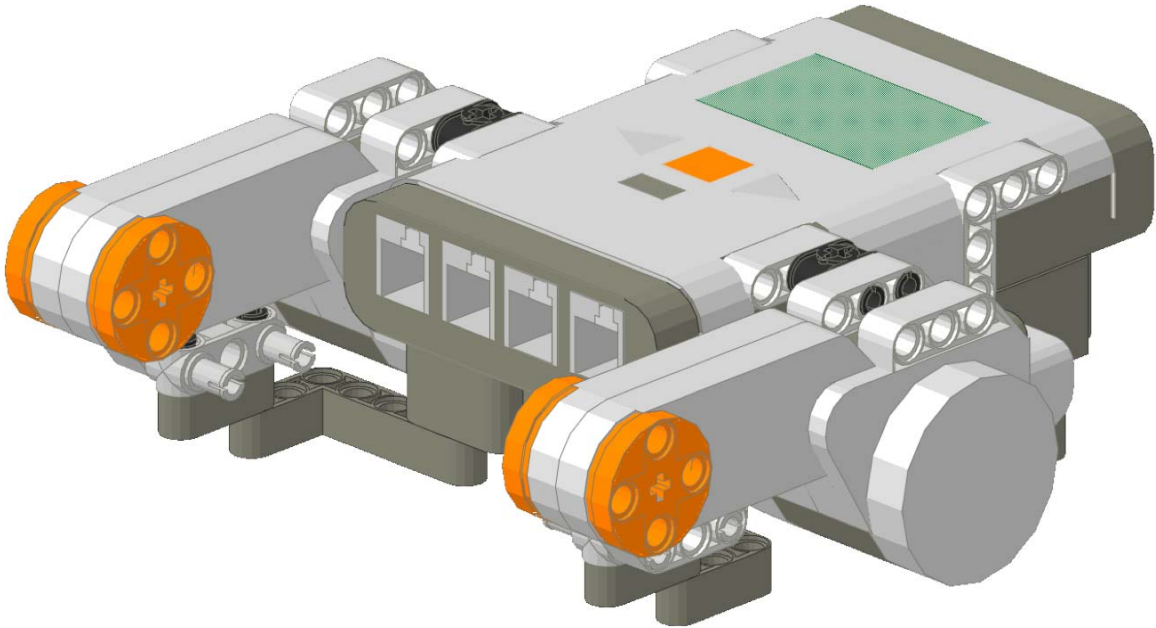
Attach 6 friction pins into the NXT. (3 per side)

Step# 3



Combine the parts from Steps #1 and #2. Attach the bent beams to the friction pins in the NXT and to the axles from step #1. Use a ½ bushings to hold the 3-5 bent beam to the axle. Both sides are symmetrical.

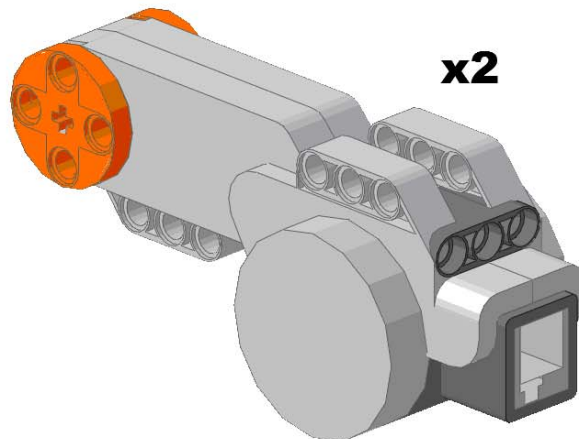
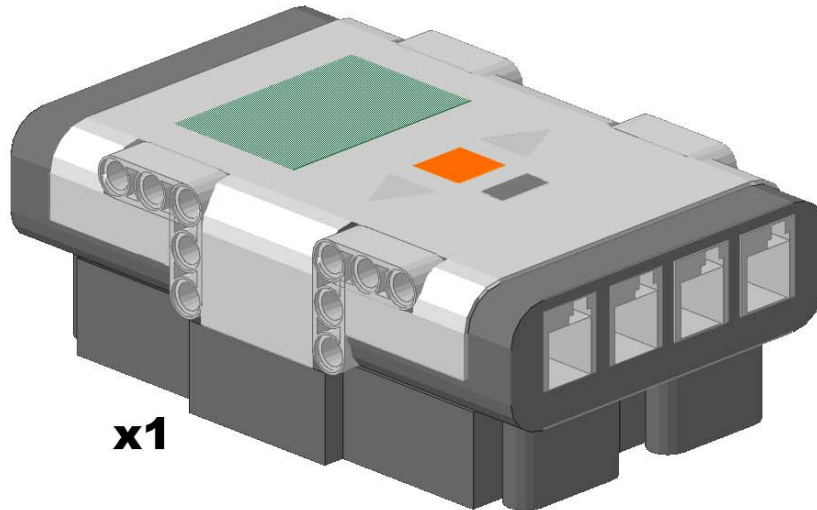
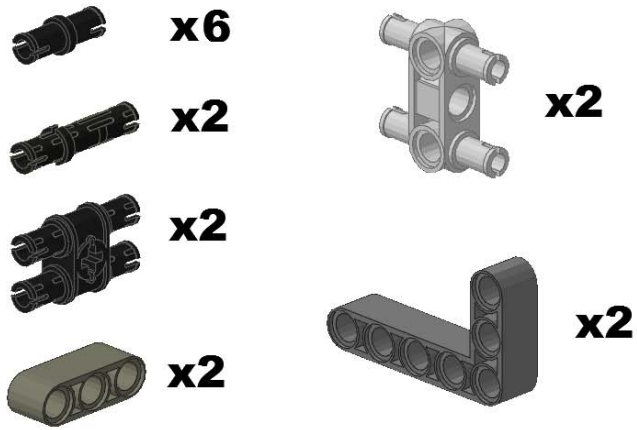
6. Wide Back Attachment



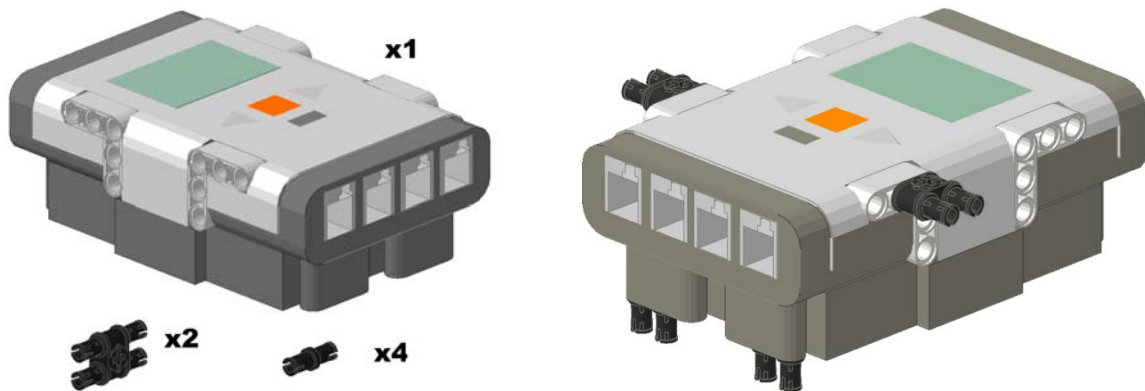
Model Description:

This is a motor attachment option in which the motors are mounted far apart in the back of the NXT.

These are the parts that you will need:

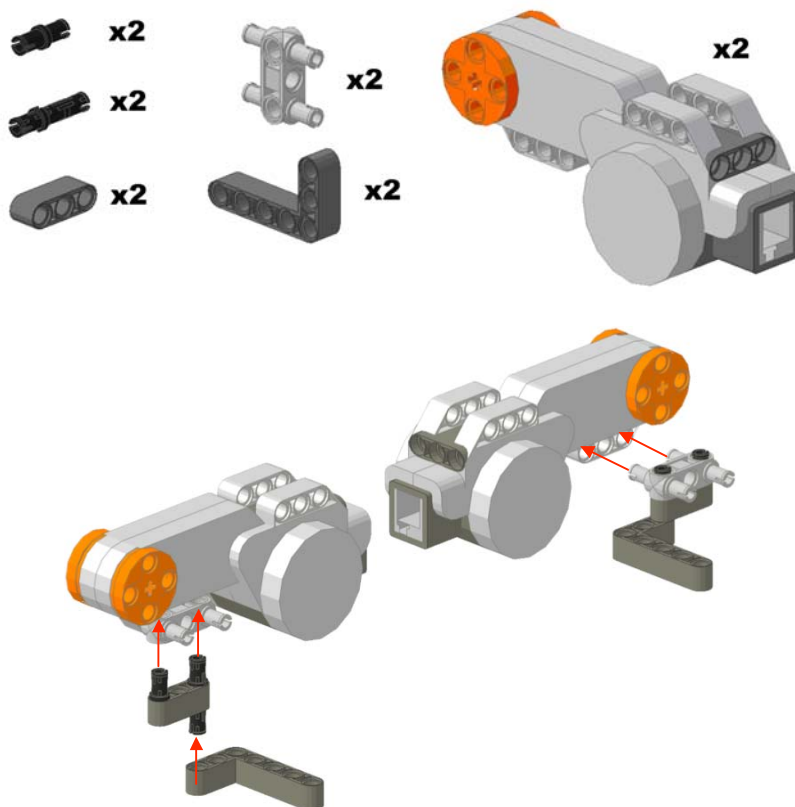


Step# 1



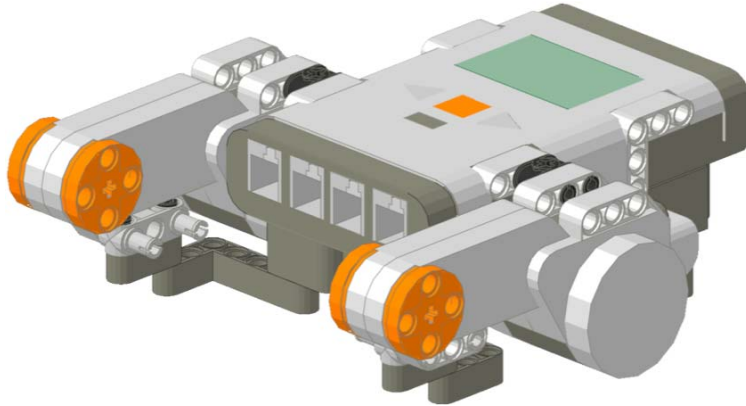
Attach a double pin connector to each side of the NXT. Place 4 pins to the bottom of the NXT in the outside most holes.

Step#2



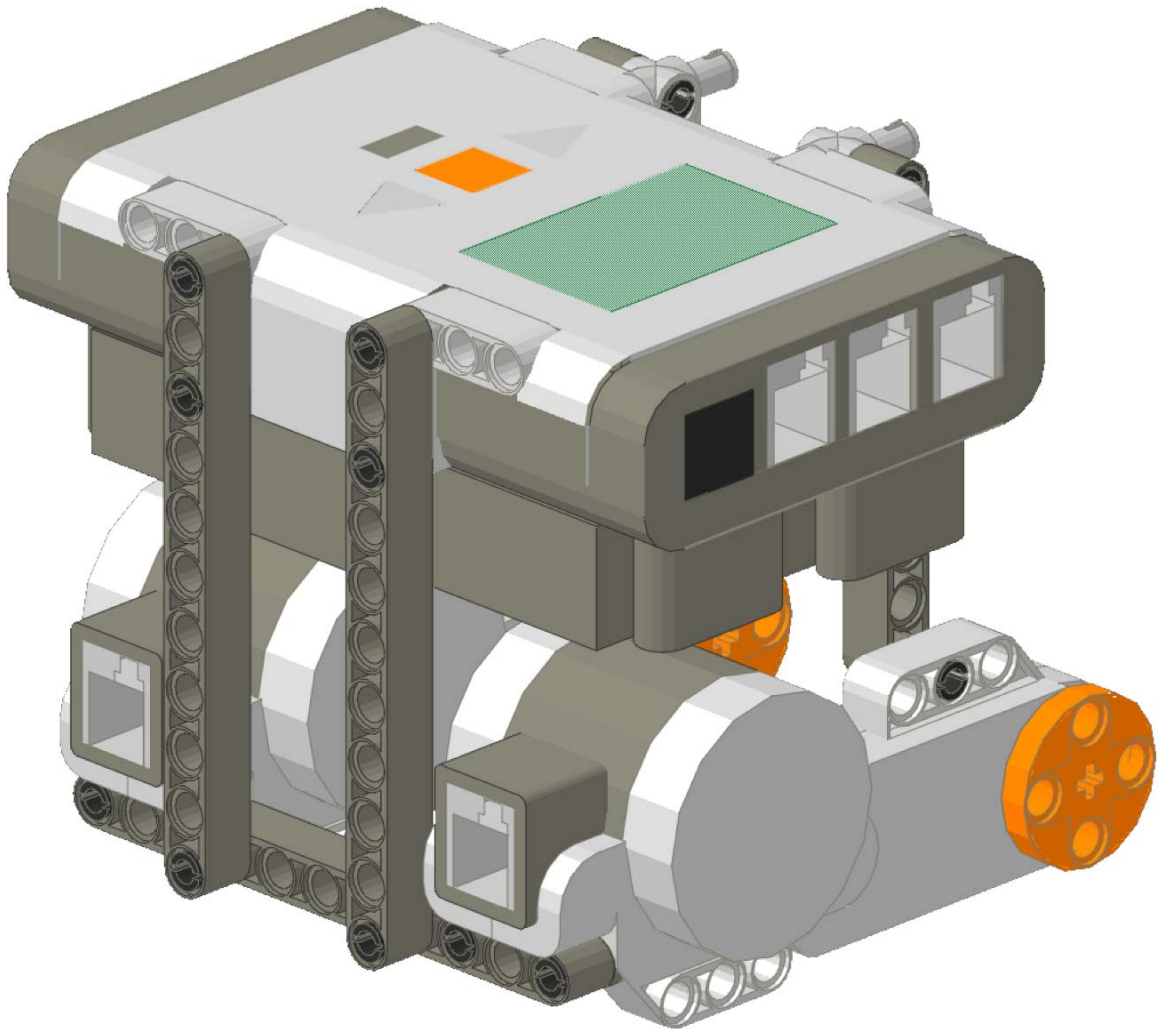
Attach a four pin axle jointer to each of the NXT motors. In 1 hole of the 4 pin connector attach a pin and in the other hole attach an extended pin. Attach the short beam to both pins and the bent beam to the extended pin.
 Note: Each motor assembly should be a mirror image of the other.

Step# 3



Combine the assemblies from Steps #1 and #2. Attach the bent beams to the bottom of the NXT and the motors to the double pin connectors.

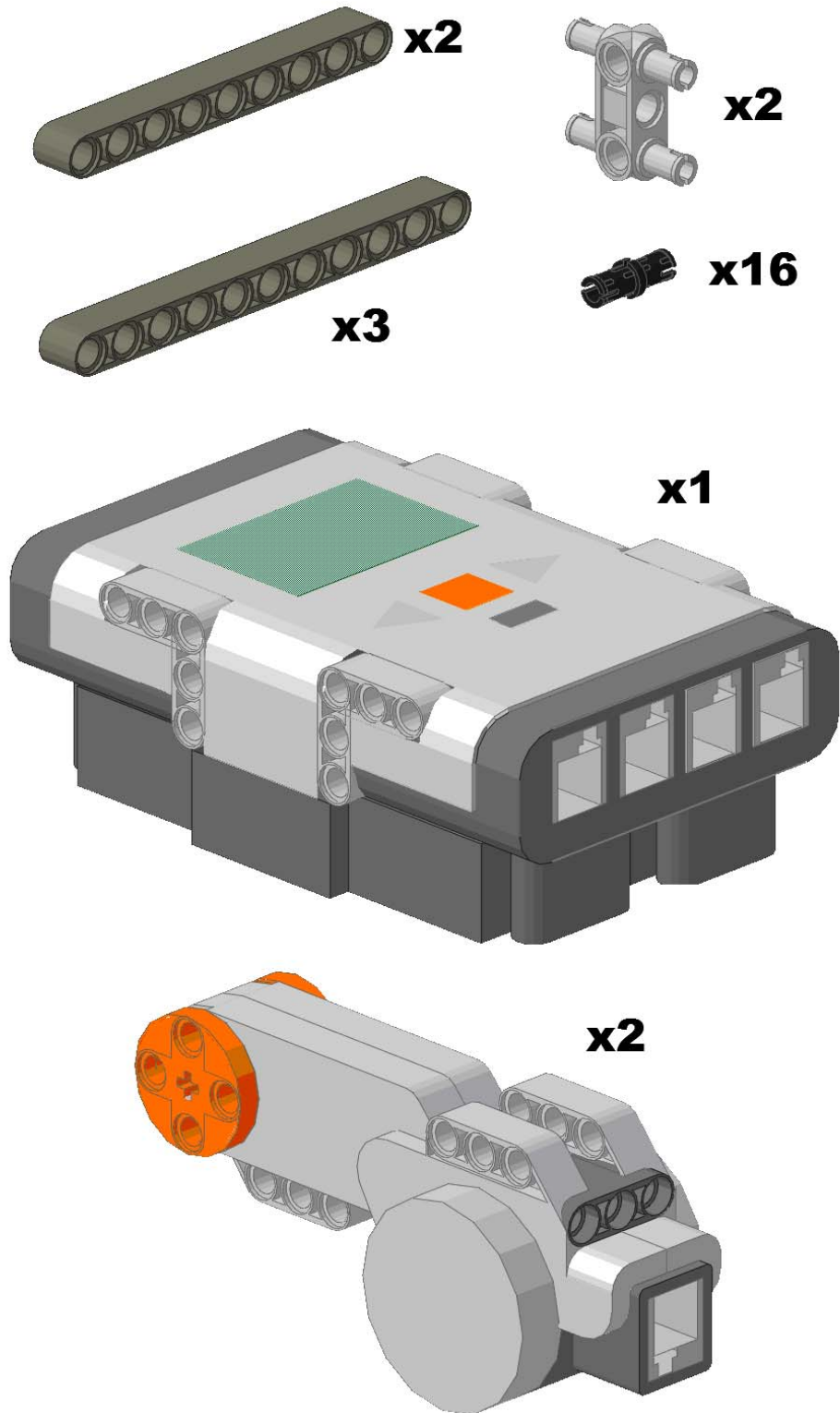
7. Compact Motor Attachment



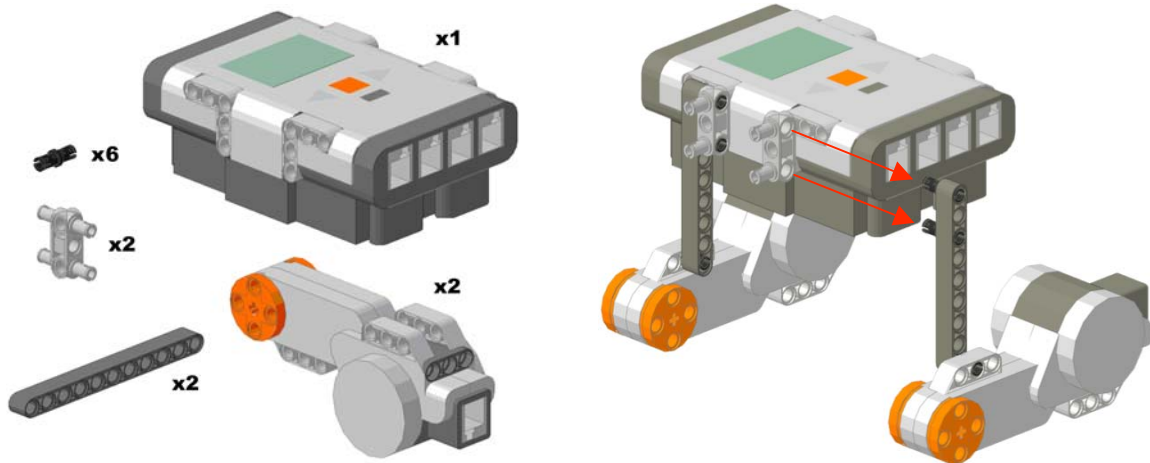
Model Description:

This is a simple, compact way of attaching motors to the NXT.

These are the parts that you will need:

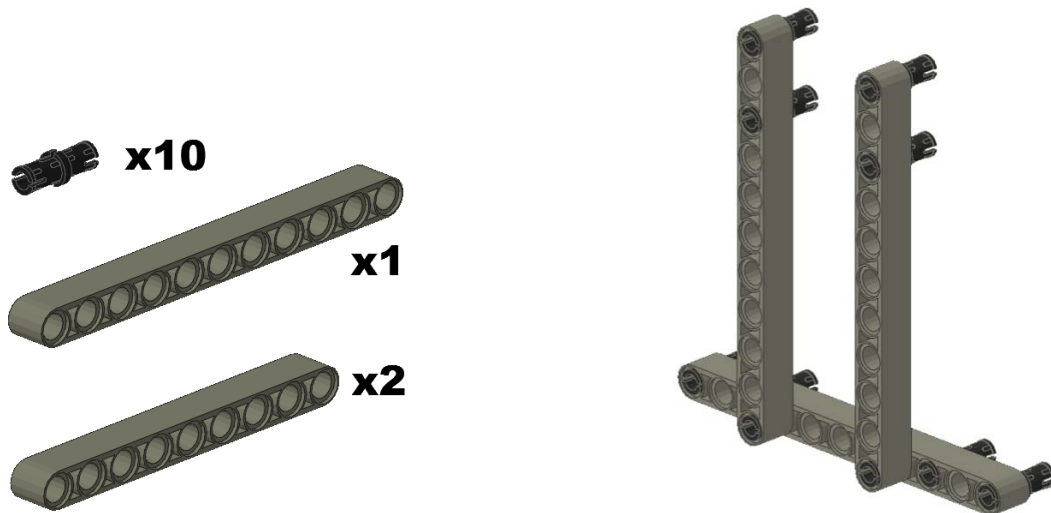


Step# 1



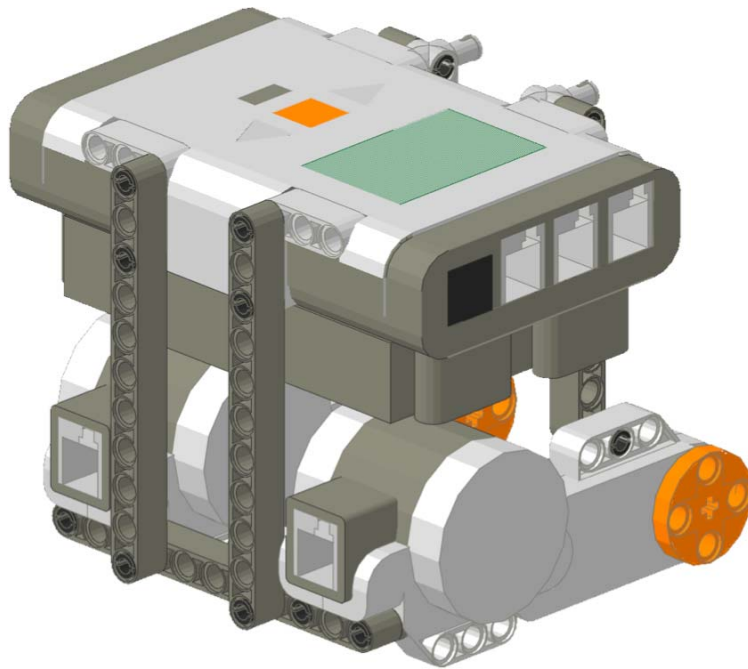
Attach 2 motors to the NXT using beams and various pegs.

Step# 2



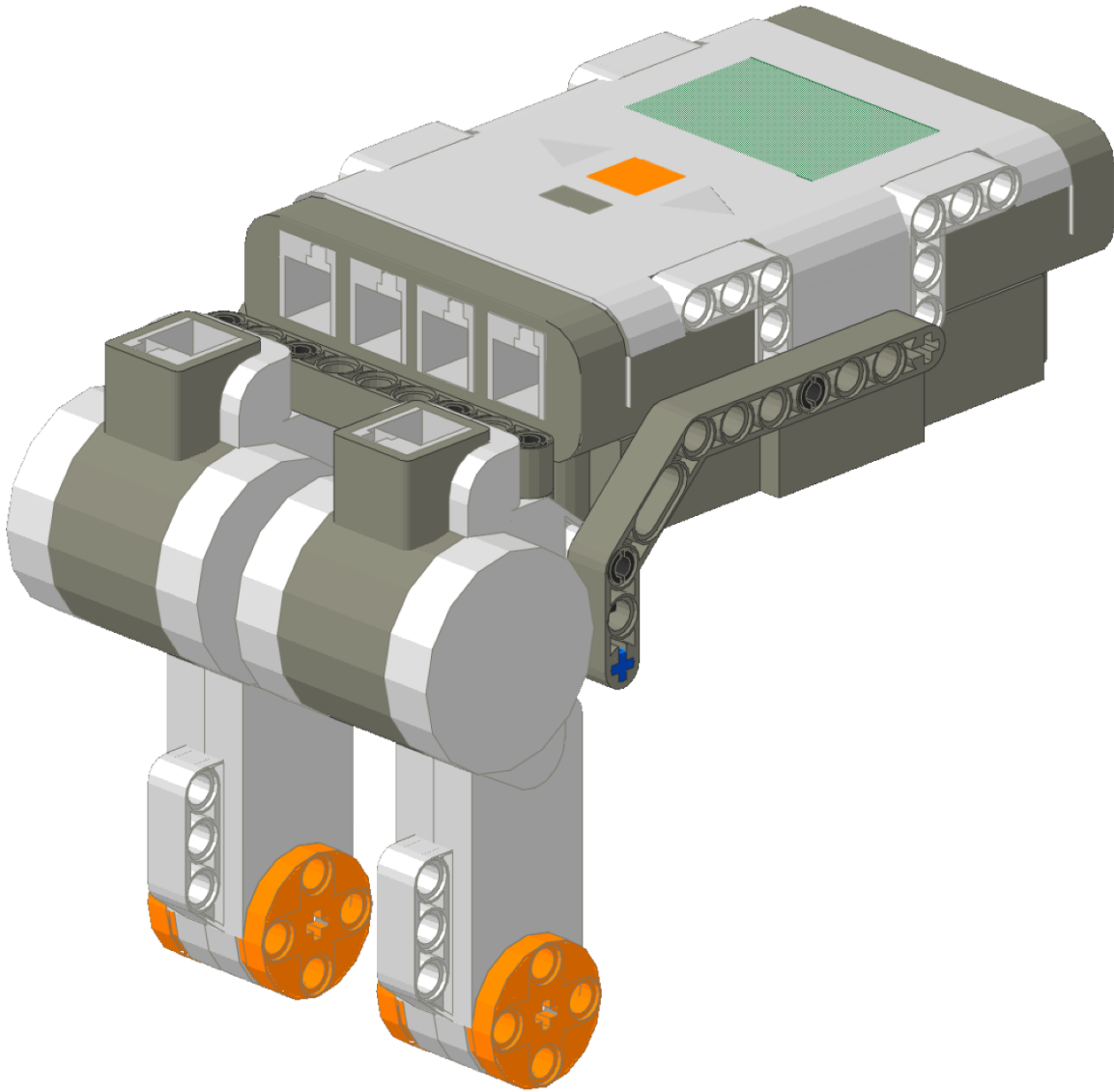
Separately build a motor support using beams and pegs.

Step# 3



Attach the part from Step #1 to the part from Step #2 so that the beams from the first step connect to the back of the motors.

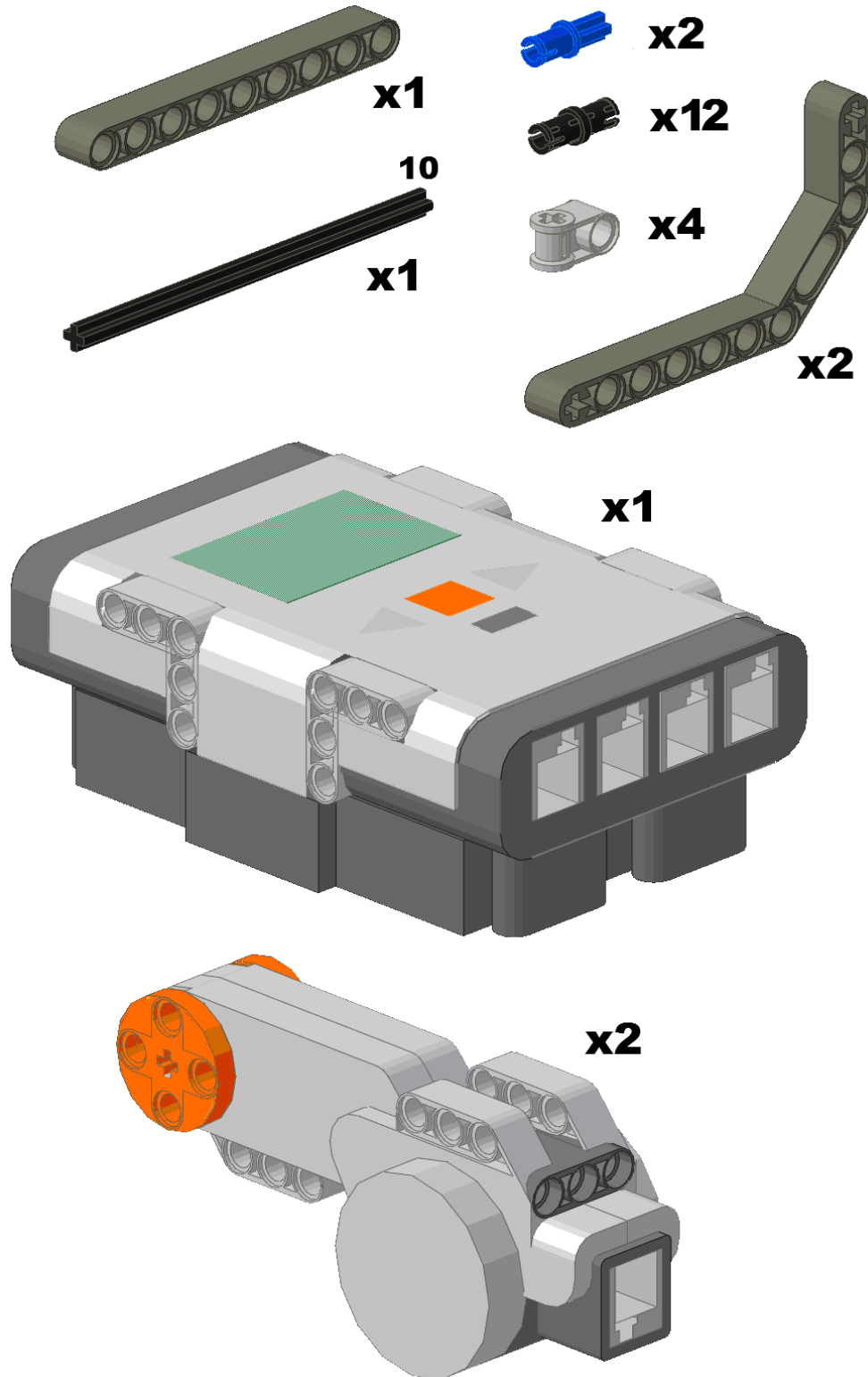
8. Vertical Motor Attachment

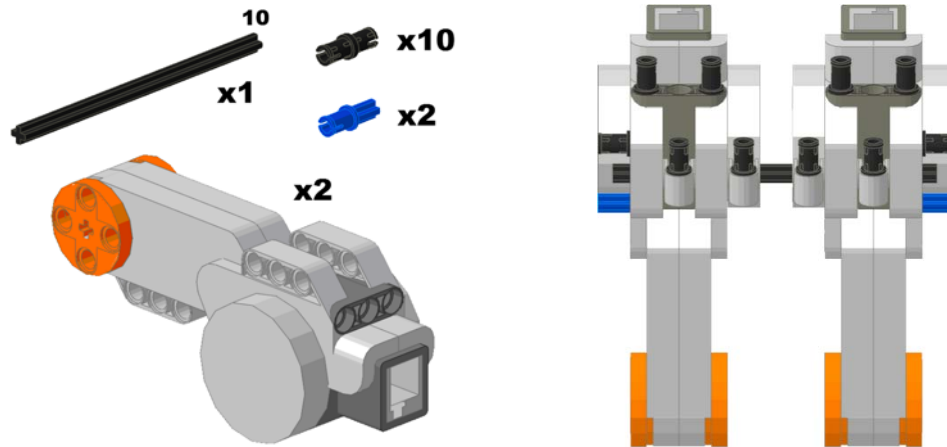


Model Description:

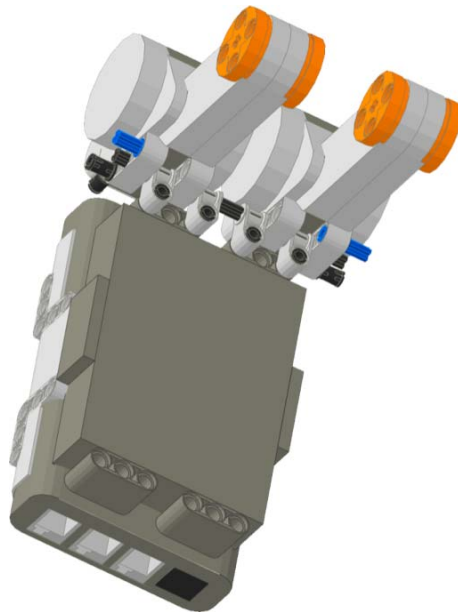
This is a motor attachment option in which two motors are held vertically

These are the parts that you will need:

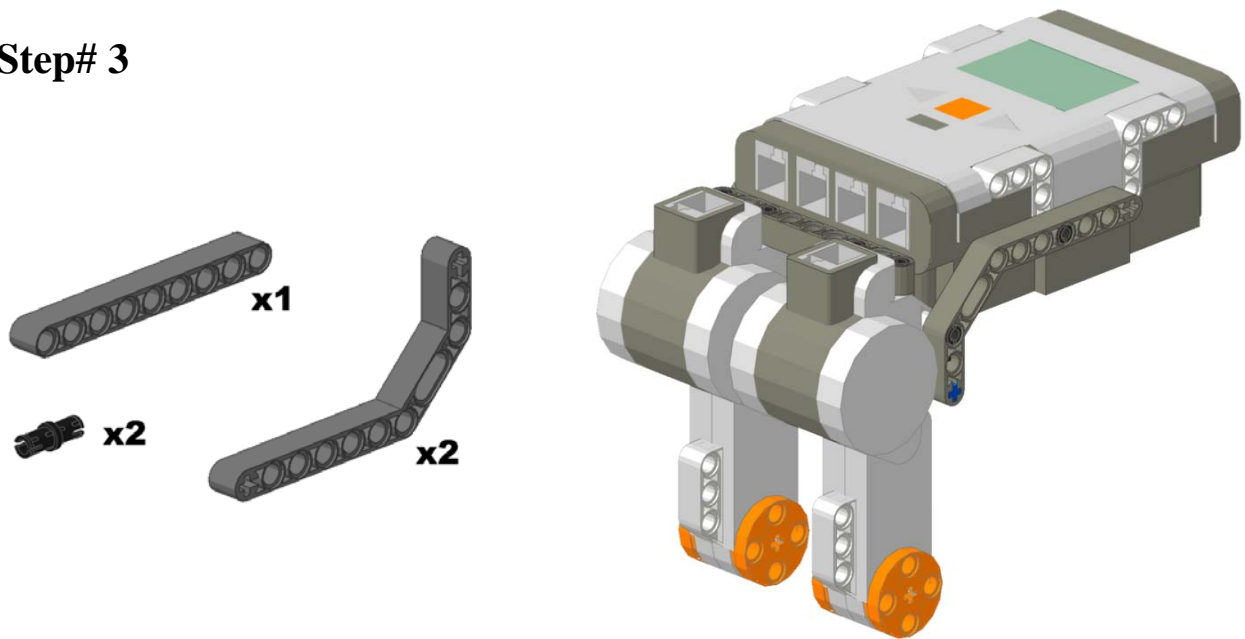


Step# 1

Attach 4 pins to the back of 2 motors. Also attach a pin and an axle pin to the side of each motor. Take 4 pins and attach each to a perpendicular axle joiner. Thread an axle through each motor lining up the 4 perpendicular axle joiners.

Step# 2

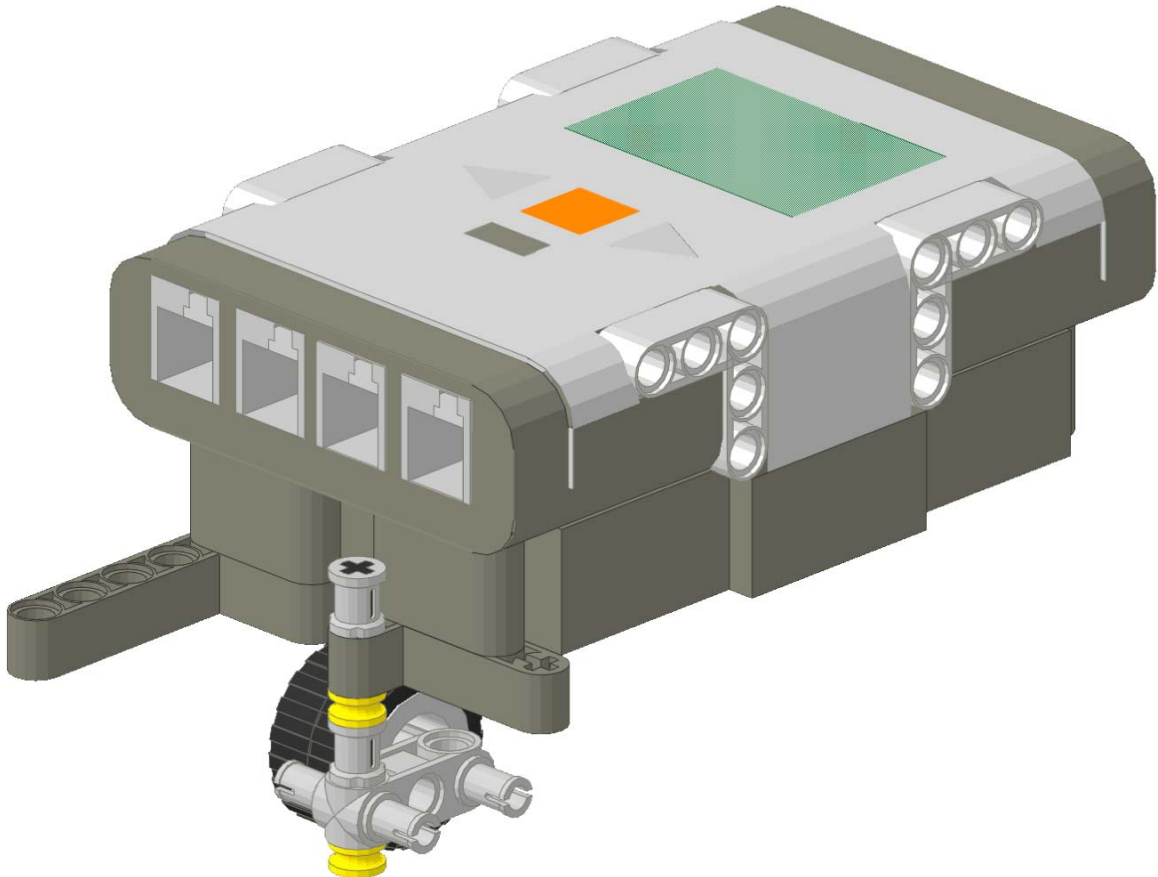
Attach the 4 pins from the perpendicular axle joiners to the bottom of an NXT.

Step# 3

Attach 2 pins to the side of the NXT. Secure Step #2 by attaching a bent beam on both sides of the NXT and a straight beam on top of each motor.

III. Front End Setups

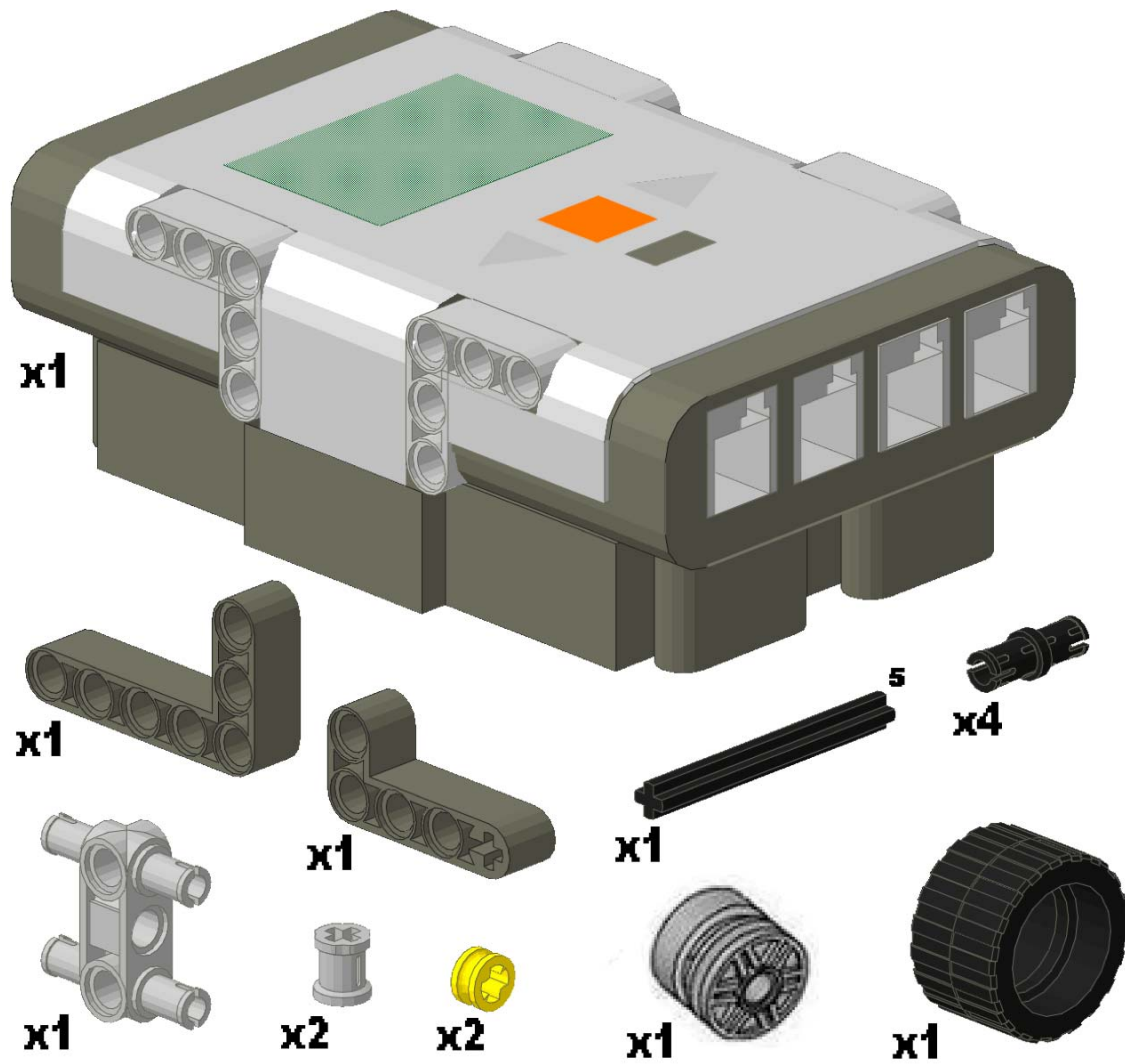
1. Swiveling Front Attachment



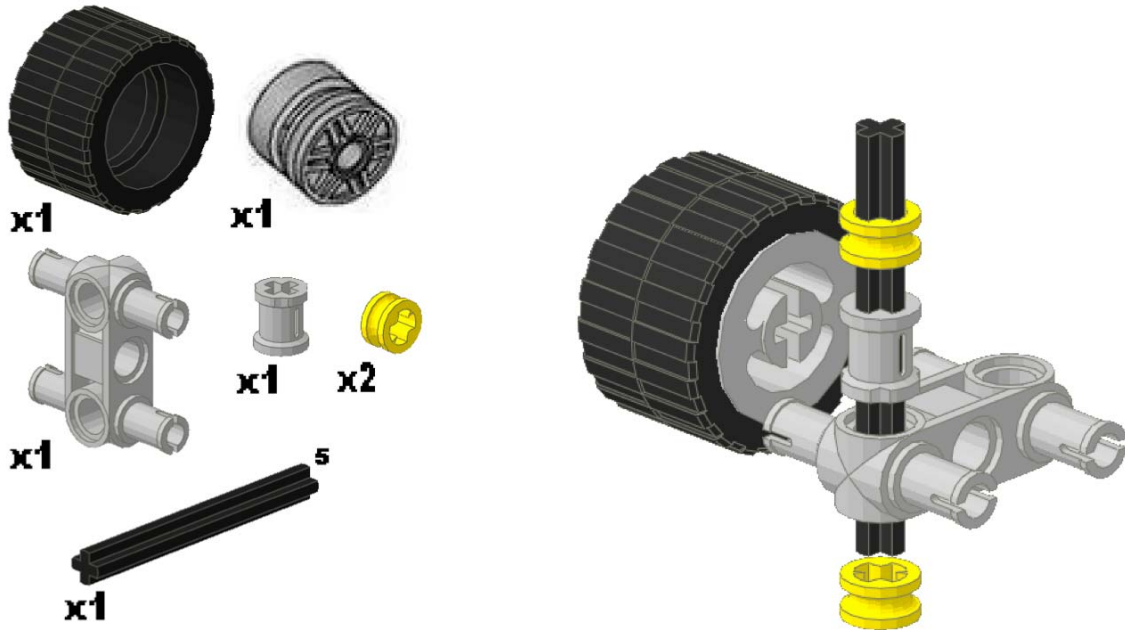
Model Description:

This is a front wheel attachment option in which one small wheel has the ability to swivel. This allows the car to turn easily.

These are the parts that you will need:



Step# 1



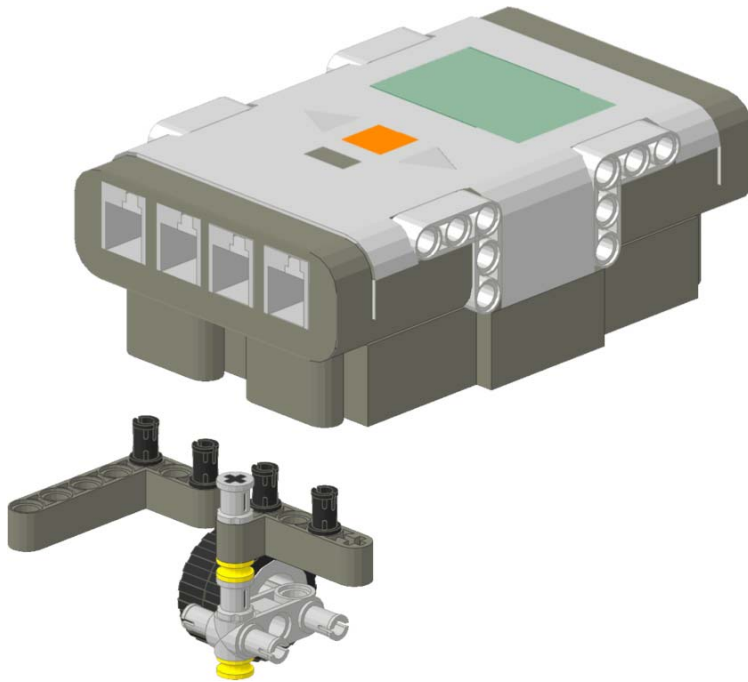
Take a 5 stud beam and slide on a half bushings, a 4-connector peg, a bushing and another half bushing. Attach the wheel to the 4-conector peg.

Step# 2



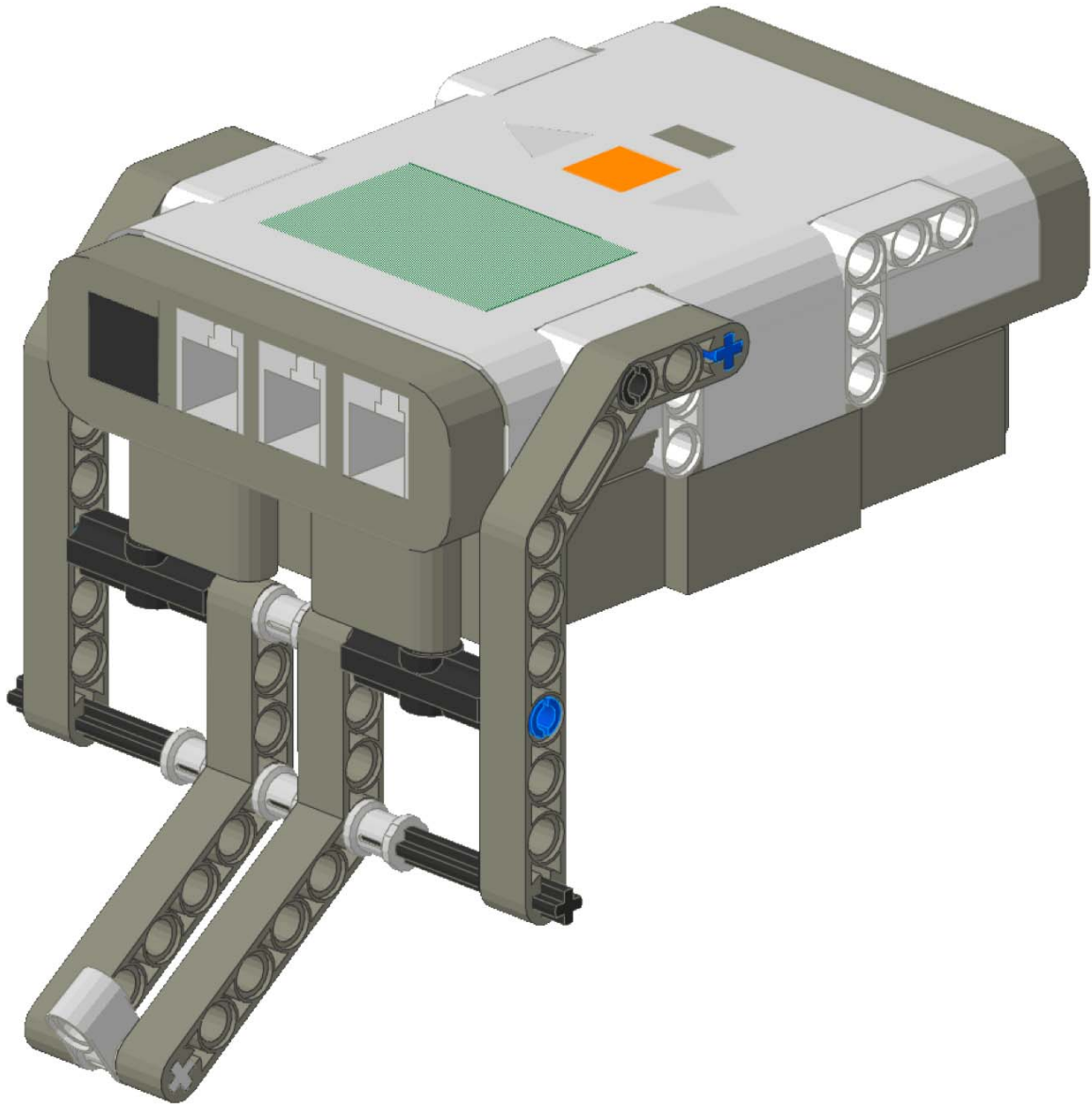
Take a small L-beam and attach 2 black friction pins to the 2nd hole and the 2nd hole from the top. Attach that to the parts from Step# 1 with a bushing. Take an L-beam and attach 2 black friction pins to the 2nd and 3rd holes.

Step# 3



Attach the parts from Step# 2 to the NXT at the protruding connector pegs.

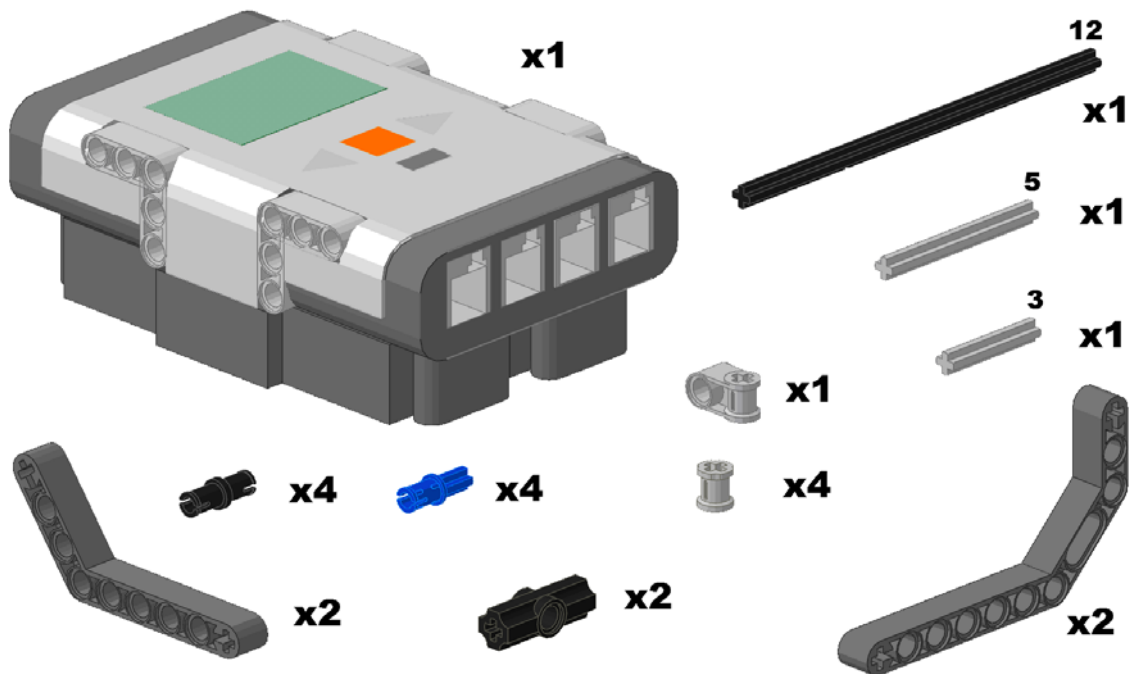
2. Long Front Attachment



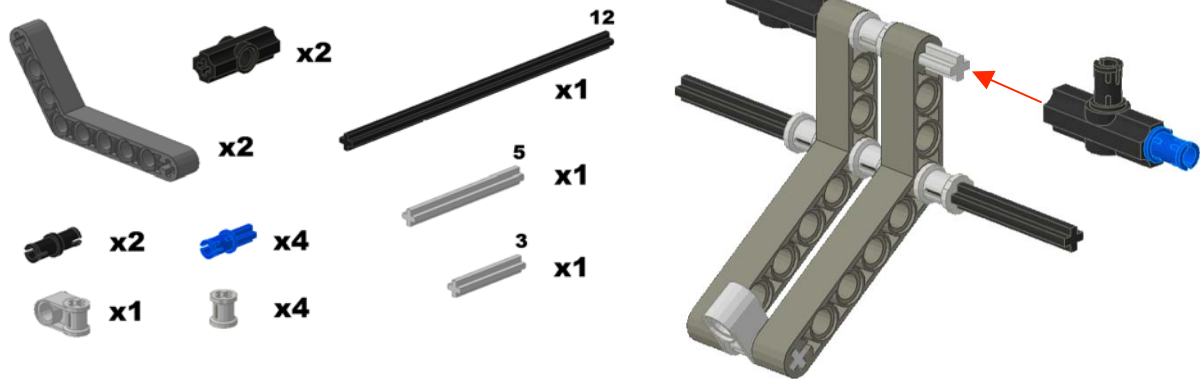
Model Description:

This is a front end setup that can slide or hold another wheel.

These are the parts that you will need:



Step# 1

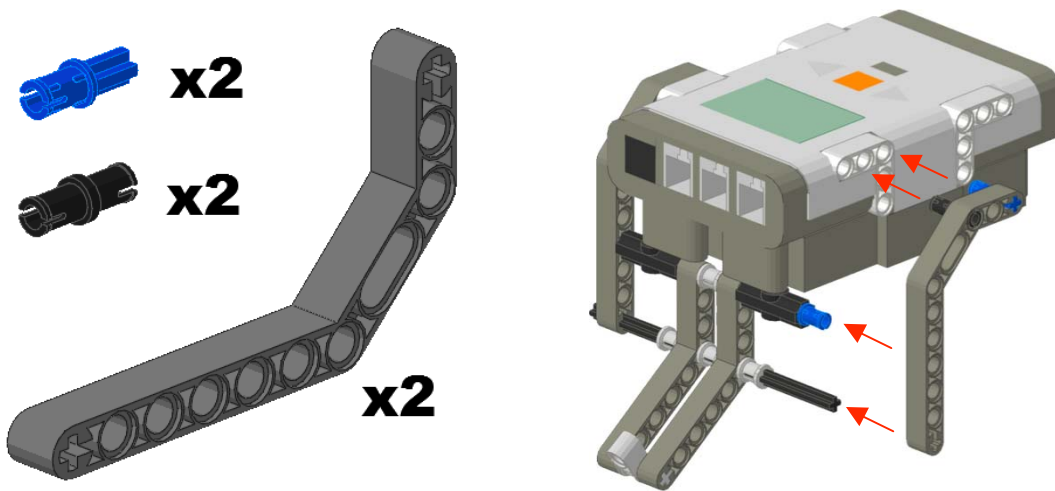


Attach to the side of each angle connector an axle pin. To the top of each, connect a pin. Thread a medium axle between the angle connector placing 2 bent beams and a bushing in between. At the bend of the beams, thread a long axle with bushings inside and outside of the beams. At the end of the beams, thread a small axle with a perpendicular axle joiner.

Step# 2

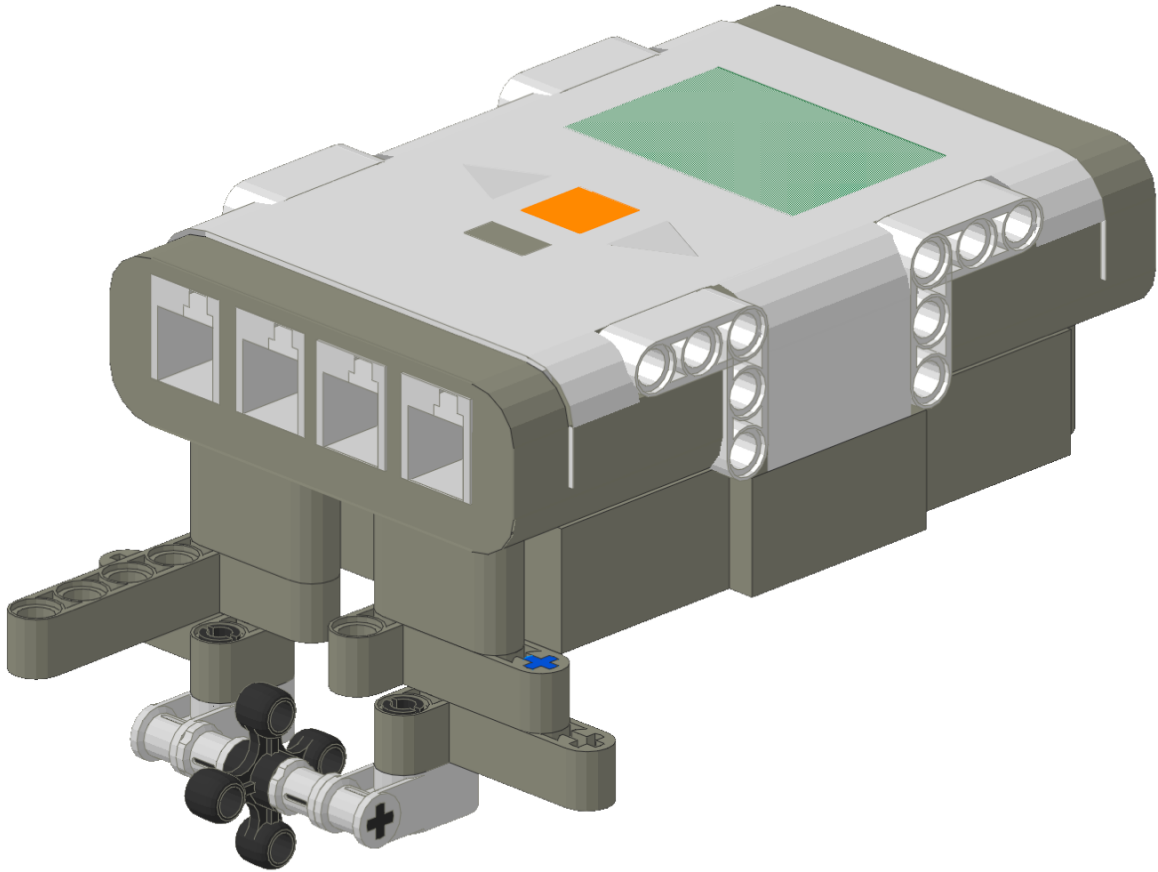


Attach Step #1 to the bottom of the NXT.

Step# 3

Secure the assembly by attaching a bent beam to each side of the NXT threading the long axle and the axle pin to the bent beam.

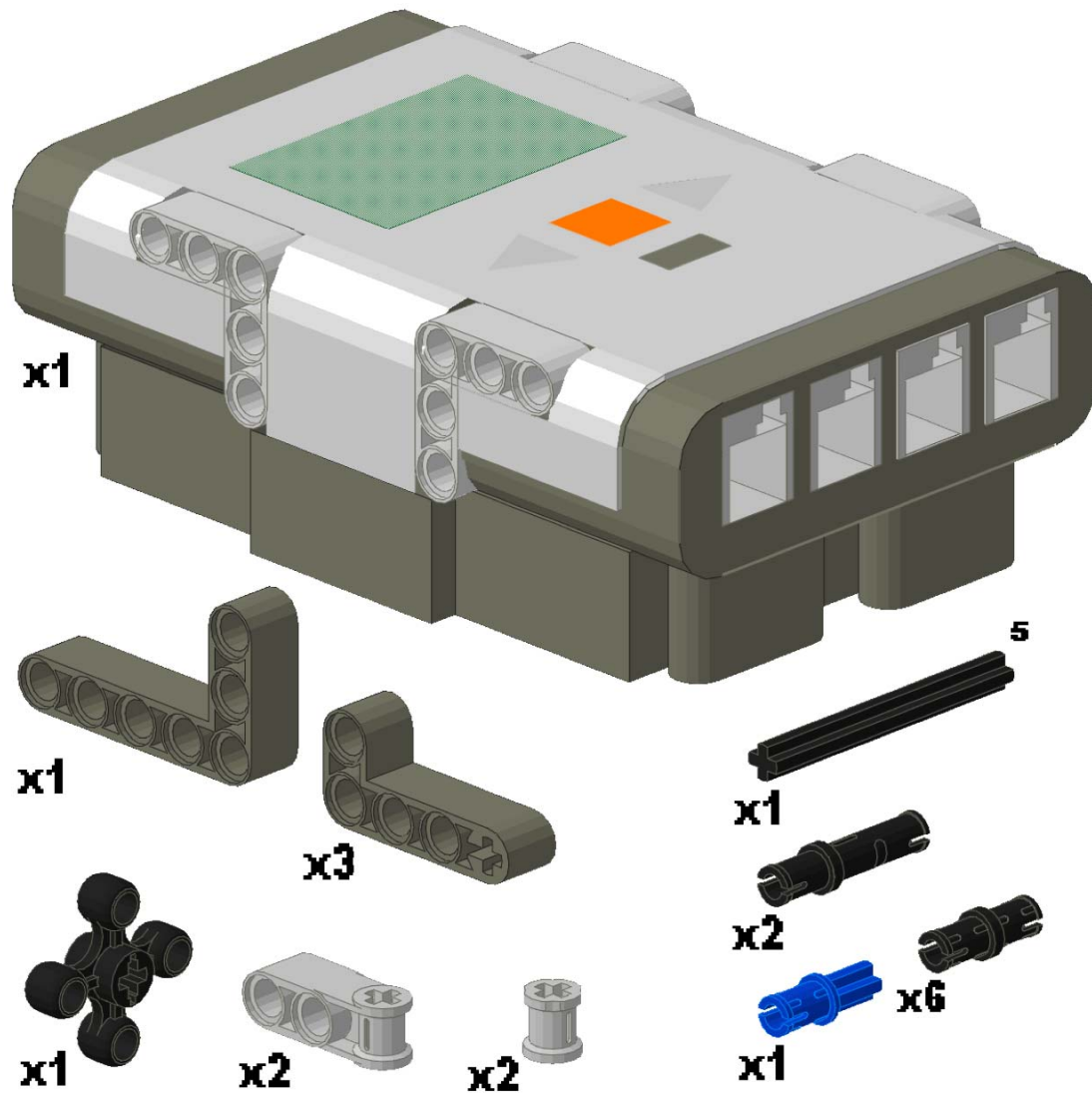
3. Sliding Front Attachment



Model Description:

This is a front wheel attachment option with skids to slide around on. This gives an NXT car the ability to turn without the use of a wheel.

These are the parts that you will need:

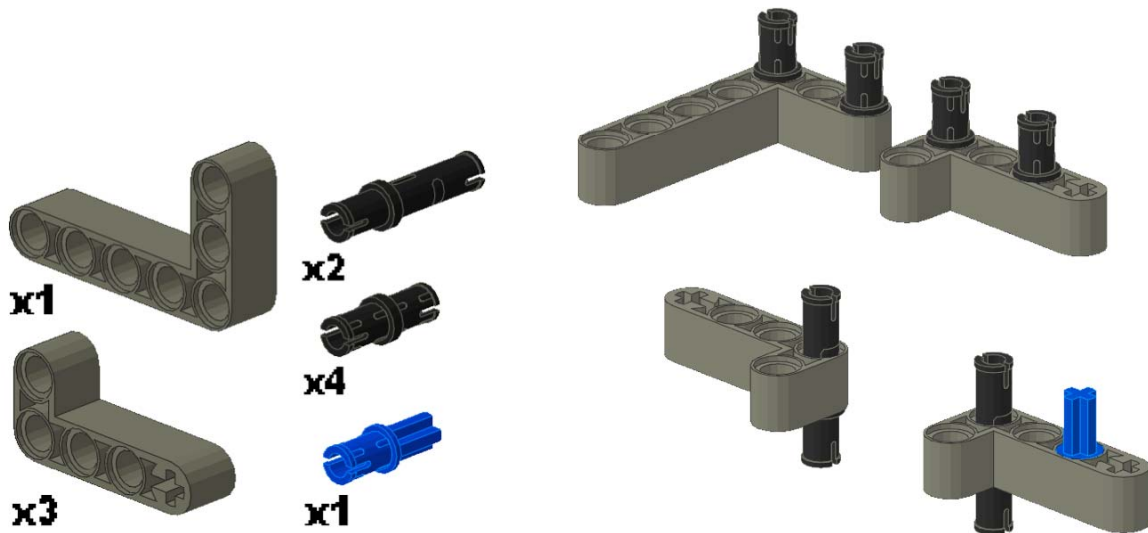


Step# 1



Slide a 5 stud axle through the skid. Side on 2 half bushings to keep the skid centered followed by 2 axle joiners on each end. Place a friction pin into the middle hole of the axle joiners.

Step# 2



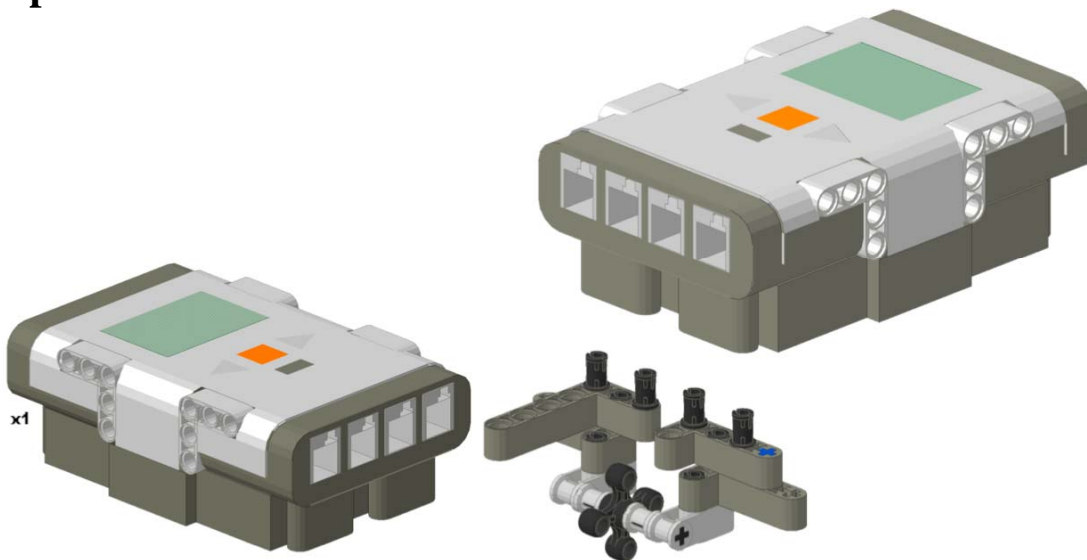
Take 2 small L-beams and place an extended black friction pin through the 2nd hole. On one of these small L-beams place a blue axle pin in the 2nd hole from the top. Take another small L-beam and insert 2 black friction pins in the 2nd hole and the 2nd hole from the top. Take an L-beam and insert 2 black friction pins into the 1st and 3rd holes.

Step# 3



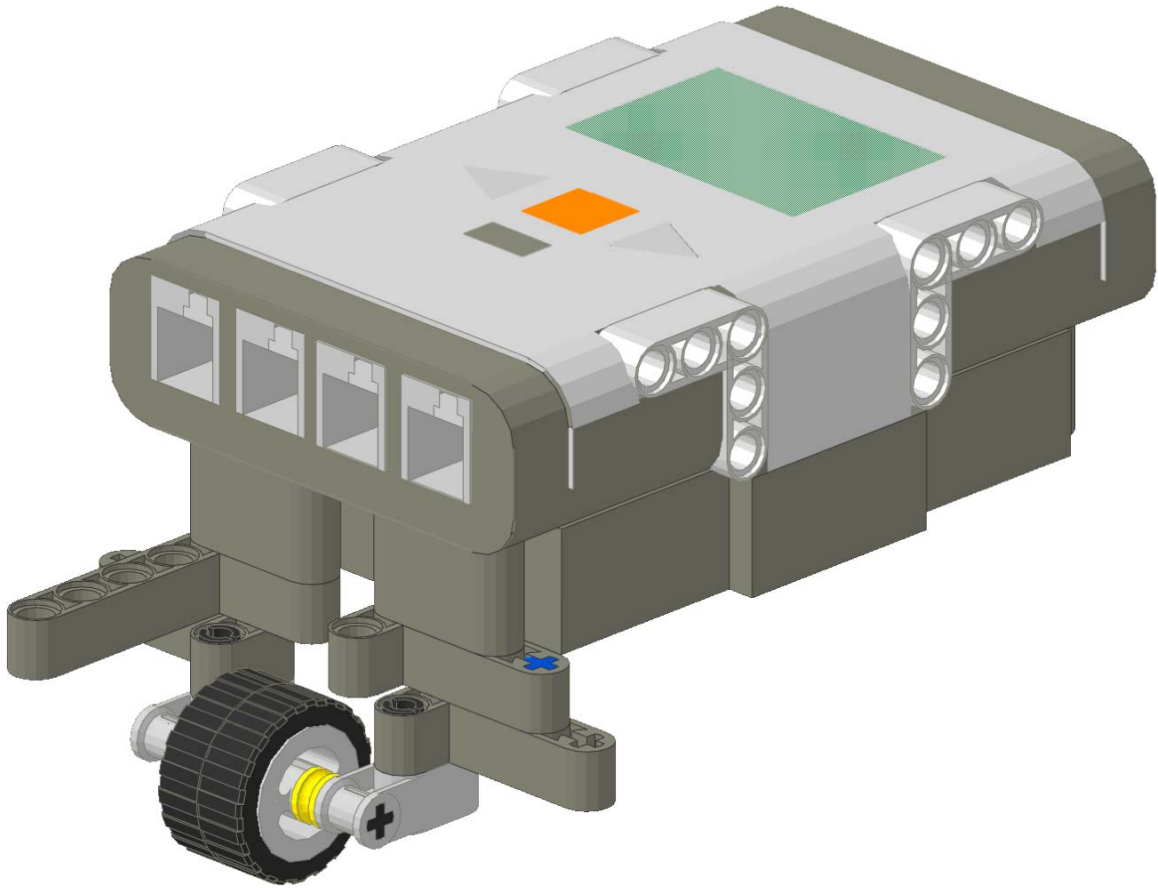
Attach the parts from Step# 1 and Step# 2 together like this.

Step# 4



Attach the parts from Step# 3 to the NXT at the protruding connector pegs.

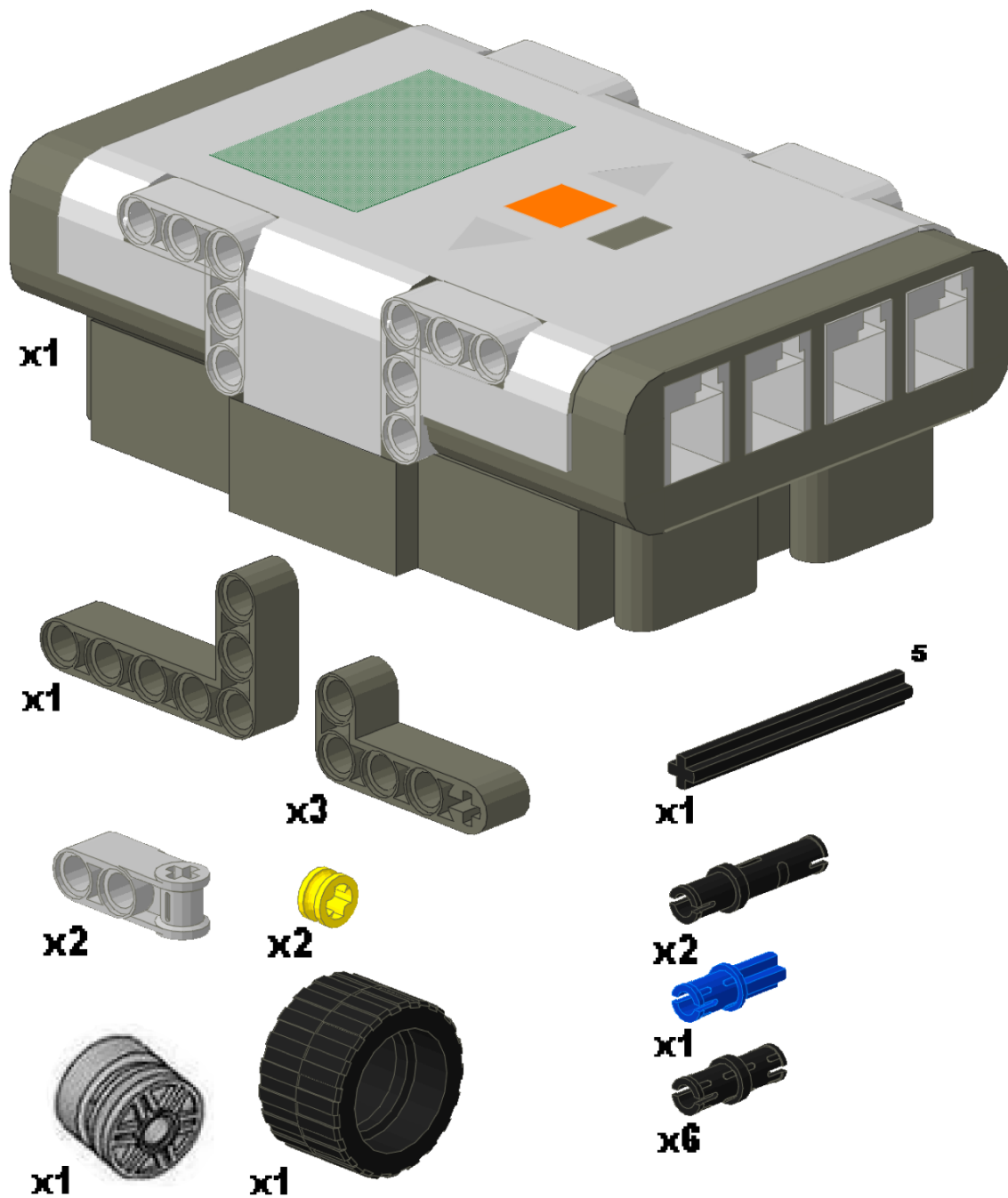
4. Single Wheel Attachment



Model Description:

This is a front wheel attachment that allows attachment of various sensors.

These are the parts that you will need:

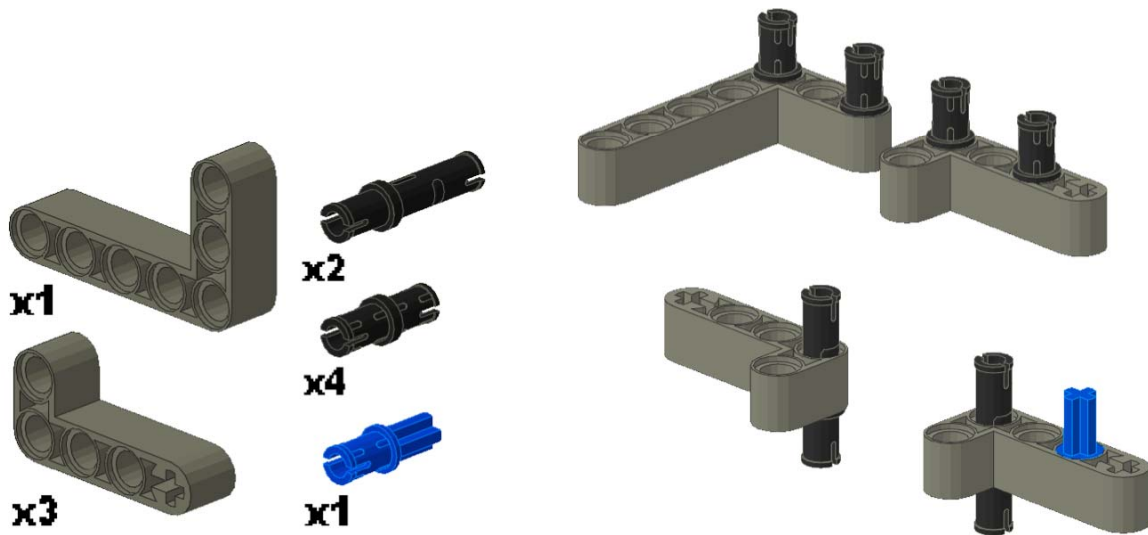


Step# 1



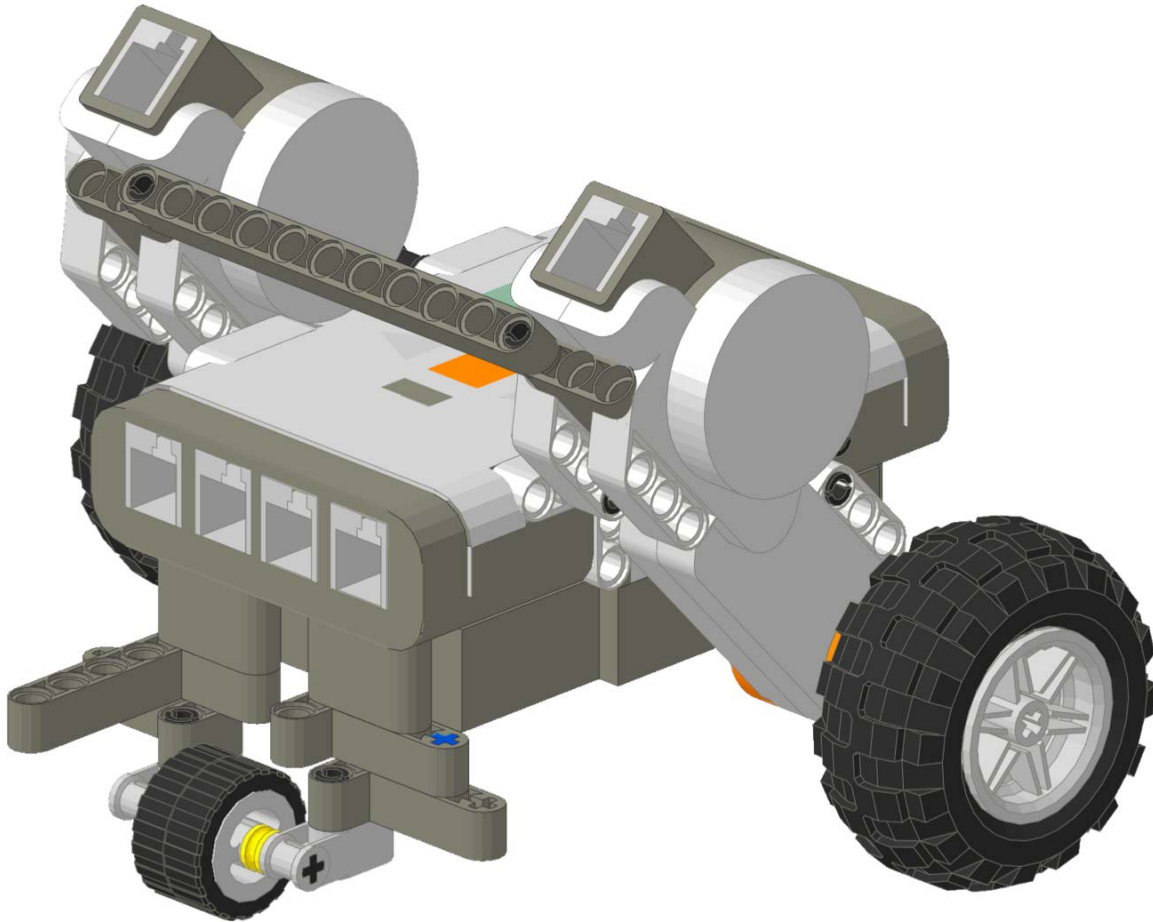
Slide a 5 stud axle through the wheel. Side on two half bushings to keep the wheel centered followed by two axle joiners on each end. Place a friction pin into the middle hole of the axle joiners.

Step# 2



Take 2 small L-beams and place an extended black friction pin through the 2nd hole. On one of these small L-beams place a blue axle pin in the 2nd hole from the top. Take another small L-beam and insert 2 black friction pins in the 2nd hole and the 2nd hole from the top. Take an L-beam and insert 2 black friction pins into the 1st and 3rd holes.

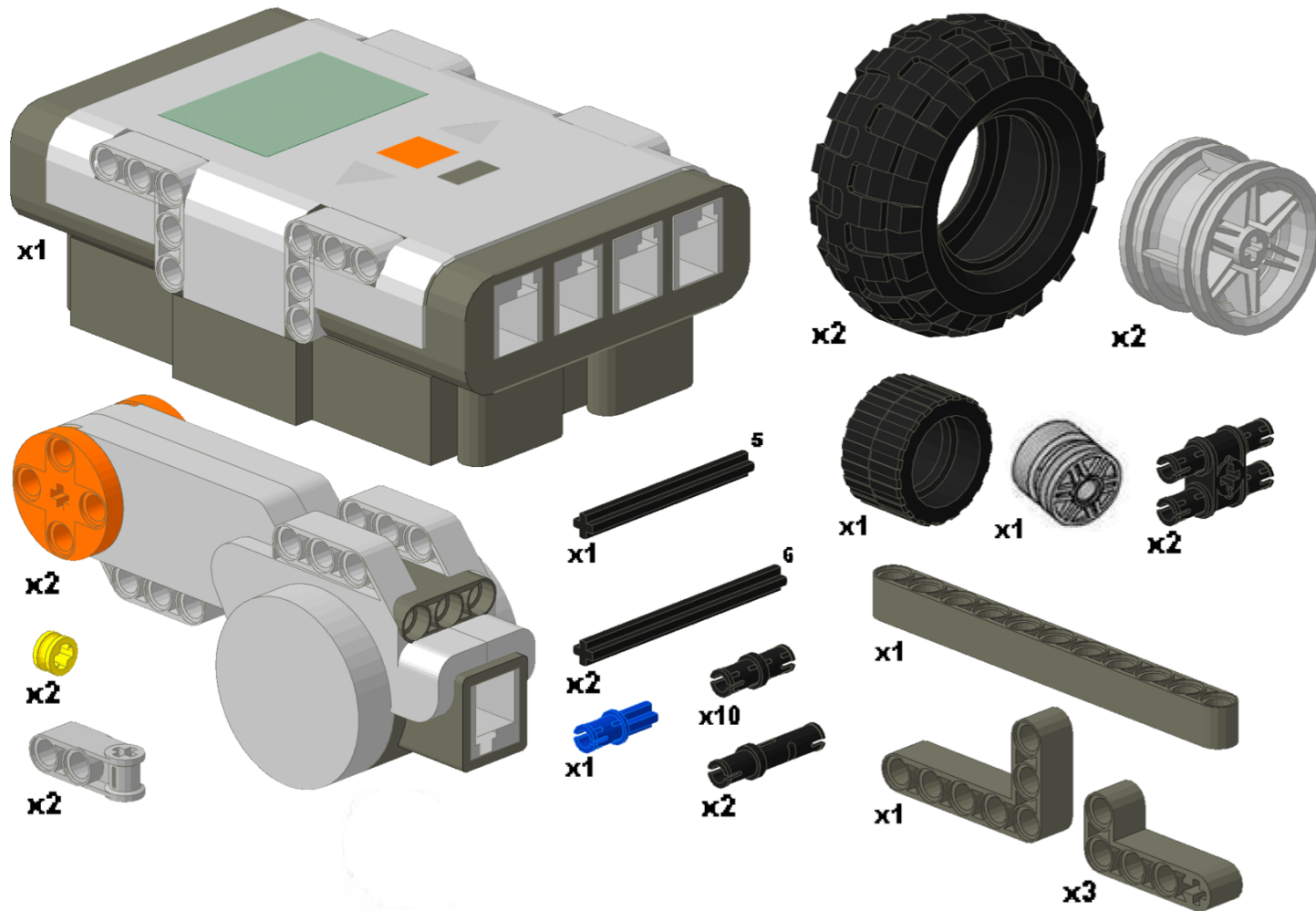
IV. Full Car Model

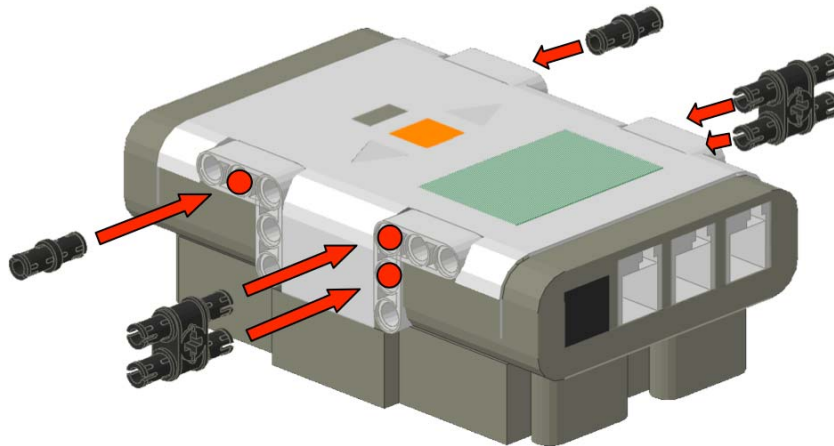


Model Description:

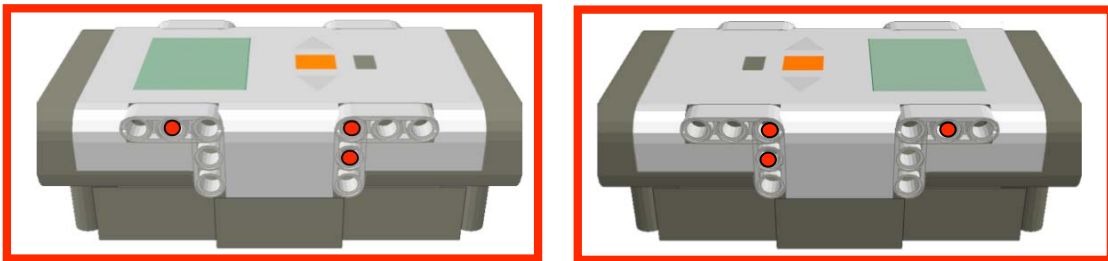
This is a simple, 2 motor car that can be built in less than 15 minutes using the NXT kit. Additionally, all front end setups (Section III) and sensor types can easily be added to this model. The following model displays the single front wheel front assembly.

These are the parts that you will need:

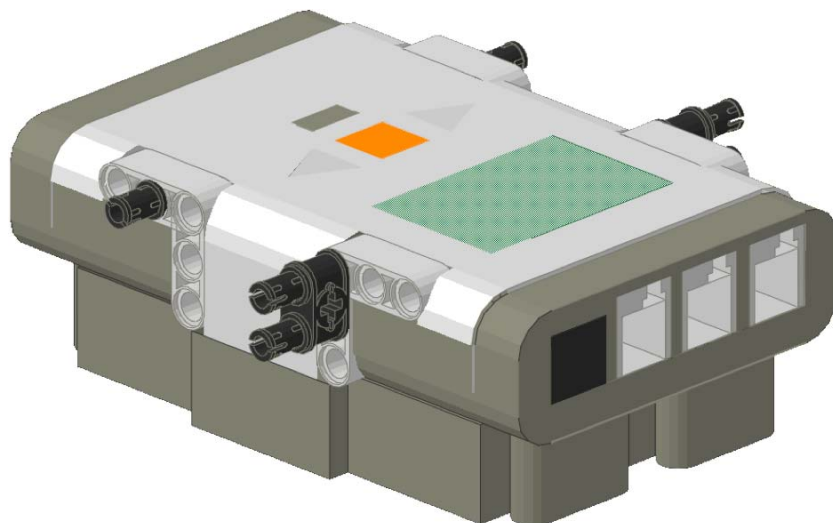


Step# 1

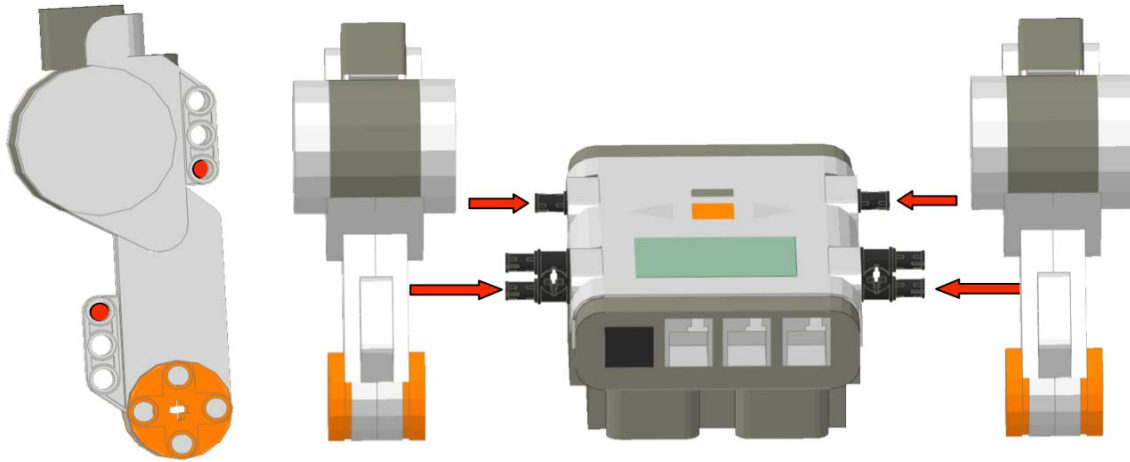
Side Views



Attach a double black connector peg and a single black connector peg to both sides of the NXT. Connect the double peg vertically in the top most holes. The single peg should be connected in the middle horizontal hole. Your NXT should look like the below picture before moving on to the next step.



Step# 2

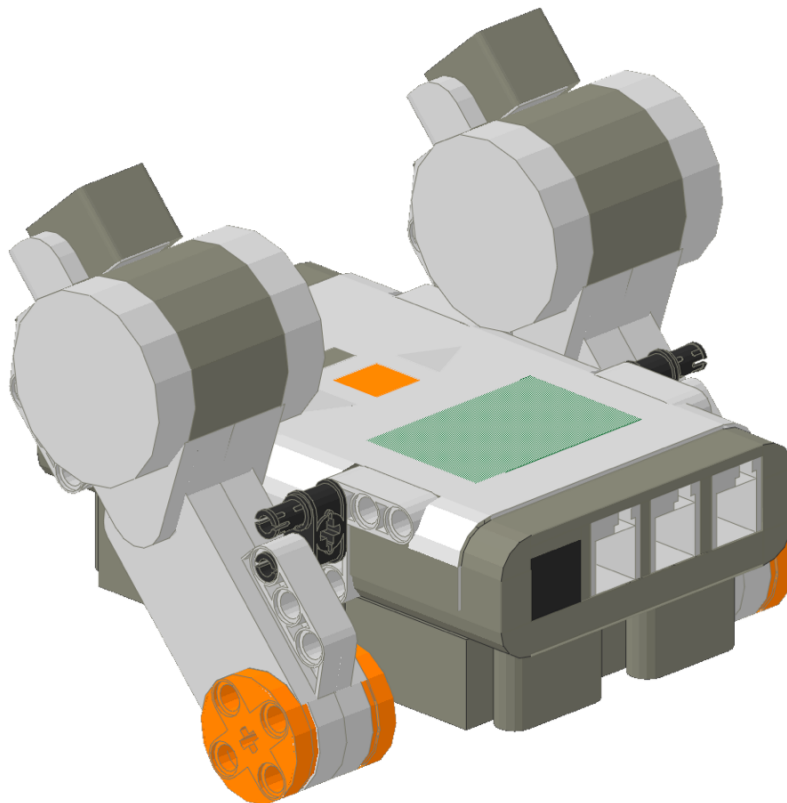


Side View

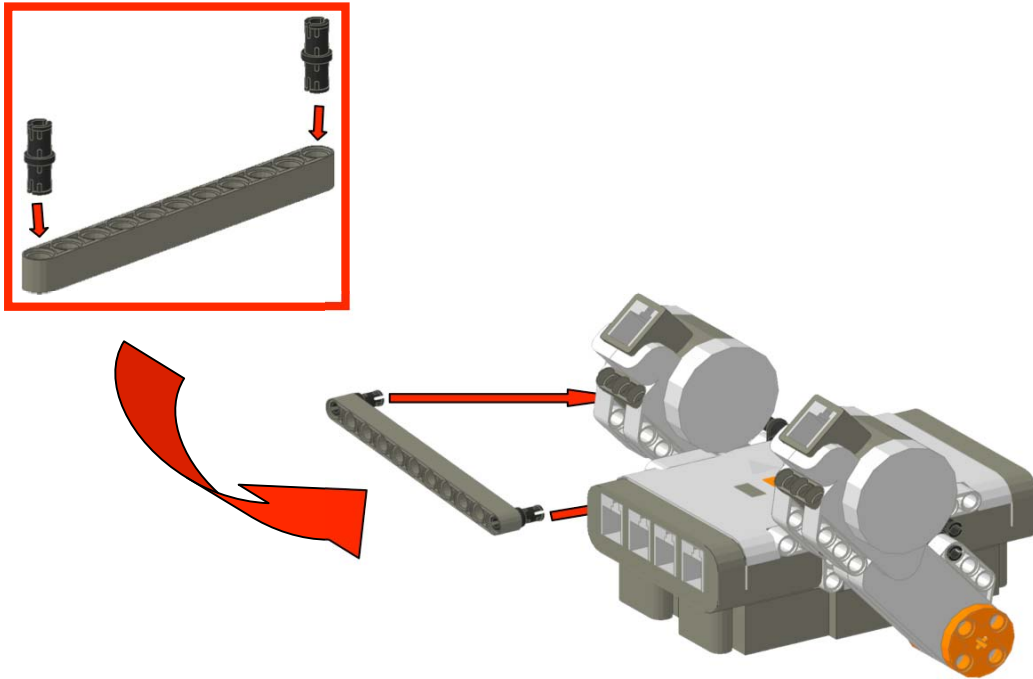
Top View

Attach the motors (one per side) to the NXT using the double black connector pegs and the short black connector pegs attached to the NXT. The red dots in the side view identify which holes on the motor attach to the pegs. Your NXT should look like the below picture before moving on to the next step.

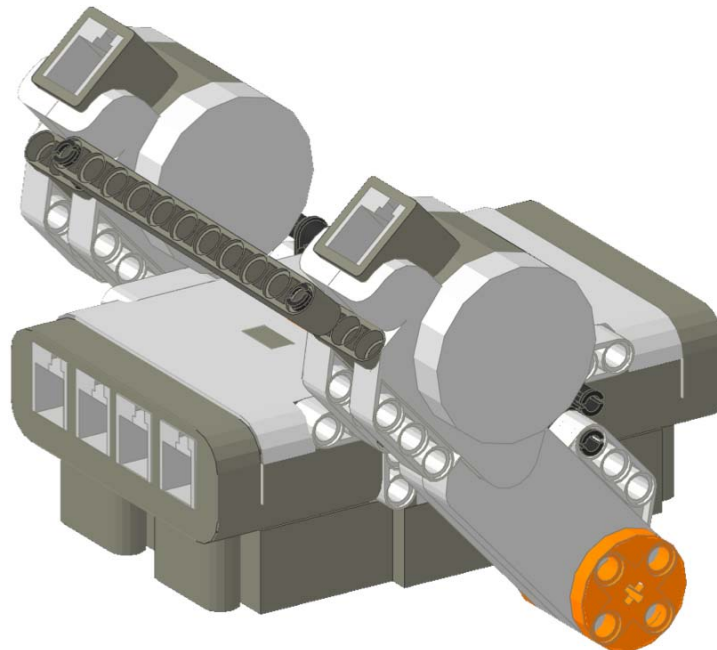
Note: The top connection of the double black connector peg is not connected to anything.



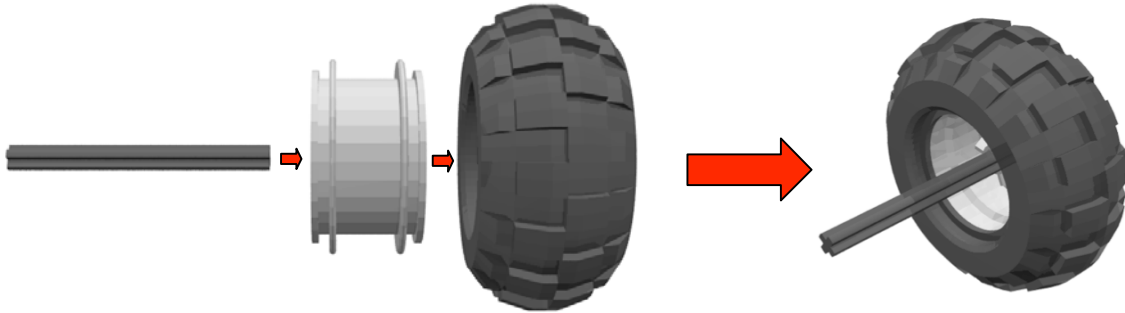
Step# 3



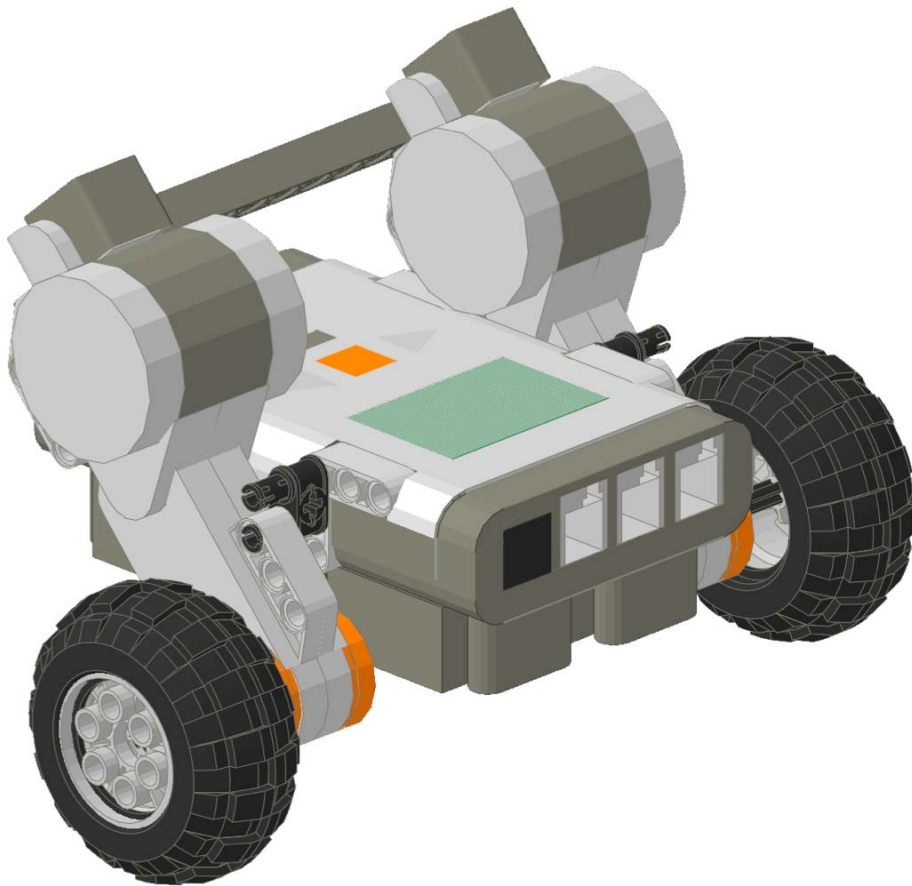
Take an 11-holed rounded beam and attach two short black connector pegs to the outside holes as seen in the **red** square. Connect the pegs to the back of each motor (as identified by the **red** dots) to further support the motors to the NXT. Your NXT should look like the below picture before moving on to the next step.



Step# 4



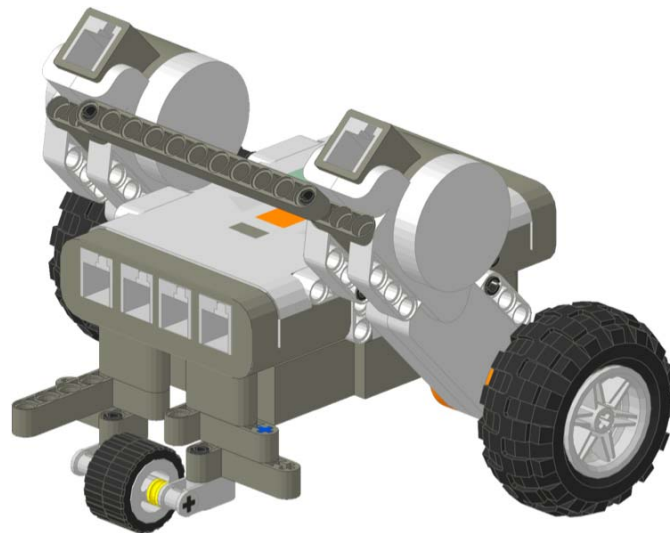
Assemble 2 rear wheel assemblies using a 6 stud axle, a wheel, and a hub. Attach one to each motor as seen below.

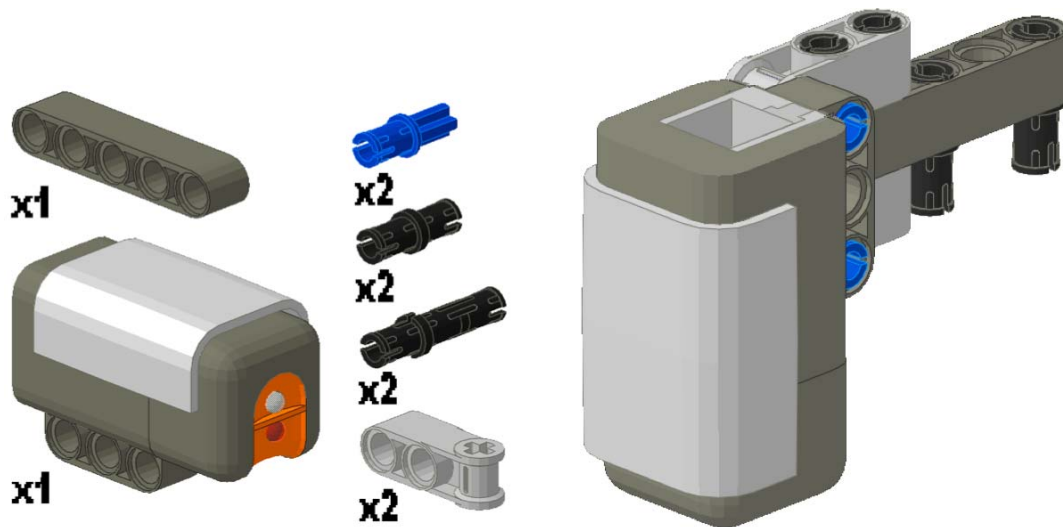


Step# 5

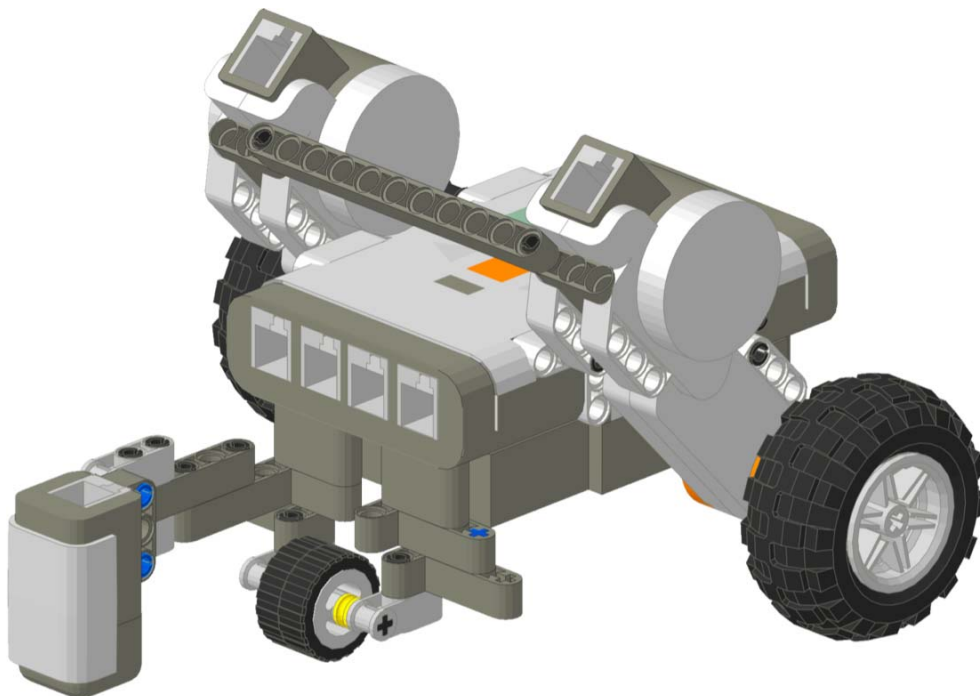


Take an L-beam and attach a black connector peg to the first and third hole on the smaller part of the L. Take a small L-beam and attach a black connector peg to the 1st and 3rd hole on the larger part of the L. In the 2nd hole between the 2 connector pegs on each L-beam, attach an extended black connector peg. Also attach a friction axle to the fourth hole on the small L-beam. Now attach 2 small L-beams to the protruding pins below the other L-beams. Attach a black connector peg to the second hole on the small part of the L. Now attach an axle joiner on each of the protruding connector pegs below the small L-beams. Then, align the wheel between 2 half bushings and slide the 5-axle through the axle joiners. Connect the front wheel assembly to the bottom of the NXT at the protruding connector pegs.

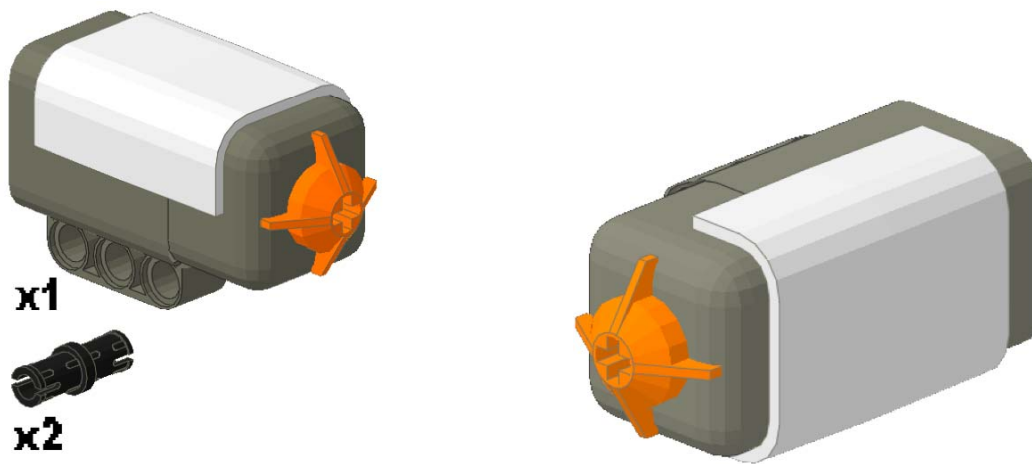


Step# 6 (Optional)

Insert a black connector peg into the 1st and 3rd holes of the 5-hole beam and an extended black connector peg into the 4th and 5th holes. Attach an axle joiner to the extended black connector pegs. Insert a friction axle into each hole of the axle joiners and attach the light sensor to the friction axles. Attach the light sensor to the car from Step #5. The 5-hole beam should connect to the top of the L-beam on the front wheel assembly.



Step# 7 (Optional)



Attach the two black connector pegs to the first and third holes of the touch sensor. Attach the touch sensor assembly to the car from Step #5. The sensor should attach to the top of the L-beam on the front wheel assembly.

